



This system is particularly suitable for large rooms air condition like shops, showrooms and with low ceilings like restaurants.

CAPACITY



1.7 HP - 6 HP

SOUND PRESSURE LEVEL



38 dB(A)

LOCAL CONTROLS



RBC-AXU31-E



RBC-ASCU11-E
RBC-AMTU31-E
RBC-AMSU51-EN/ES

Features

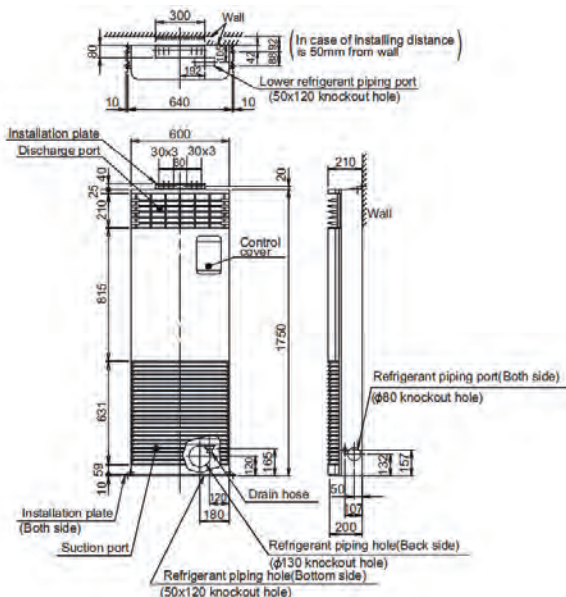
Model name	MMF-	UP0151H-E	UP0181H-E	UP0241H-E	UP0271H-E	UP0361H-E	UP0481H-E	UP0561H-E
Cooling capacity	kW	4.5	5.6	7.1	8.0	11.2	14.0	16.0
	BTU(*1.1)	15,400	19,100	24,200	27,300	38,200	47,800	54,600
	BTU(*1.2)	15,600	19,300	24,500	27,600	38,600	48,400	55,300
Electrical characteristics	Power supply	1 phase 50Hz 230V (220-240V) / 1 phase 60Hz 220V						
	Running current (50Hz/60Hz)	A	0.37/0.38		0.55/0.58		0.82/0.86	0.97/1.02
	Power consumption (50Hz/60Hz)	kW	0.053/0.053		0.087/0.087		0.133/0.133	0.158/0.158
	Starting current (50Hz/60Hz)	A	0.48/0.50		0.71/0.75		1.06/1.11	1.27/1.33
Appearance		Silky shade (Munsell / 1Y 8.5 / 8.0)						
Dimensions (HxWxD)	mm	1750x600x210				1750x600x390		
Total weight	kg	46		47		61		
Soundproof / Heat-insulating material		Non-flammable insulation						
Fan unit	Fan	Centrifugal fan						
	Standard air flow (H/M/L)	m³/h	820/700/600		930/770/640		1660/1420/1170	1760/1480/1350
	Motor output	W	62				109	
Sound pressure level (H/M/L)	dB(A)	46/42/38		50/45/41		51/46/41	53/48/45	
Sound power level	dB(A)	64		67		69	72	
Air filter		Standard filter supplied (Simple filter)						
Connecting pipe	Gas side	mm	12.7	12.7	12.7	12.7	12.7	12.7
	Liquid side	mm	6.4	6.4	6.4	9.5	9.5	9.5
	Drain port (nominal dia)	mm	20 (Polyvinyl chloride tube)					

Notes : 1) The cooling capacities are measured under the conditions specified by JIS B 8615 based on the reference piping. The reference piping consists of 5 m of main piping and 2.5 m of branch piping connected with 0 m height.
 (*1.1) Indoor air temperature 27.0 °C DB/ 19.0 °C WB, outdoor air temperature 35.0 °C DB
 (*1.2) Indoor air temperature 27.0 °C DB/ 19.5 °C WB, outdoor air temperature 35.0 °C DB

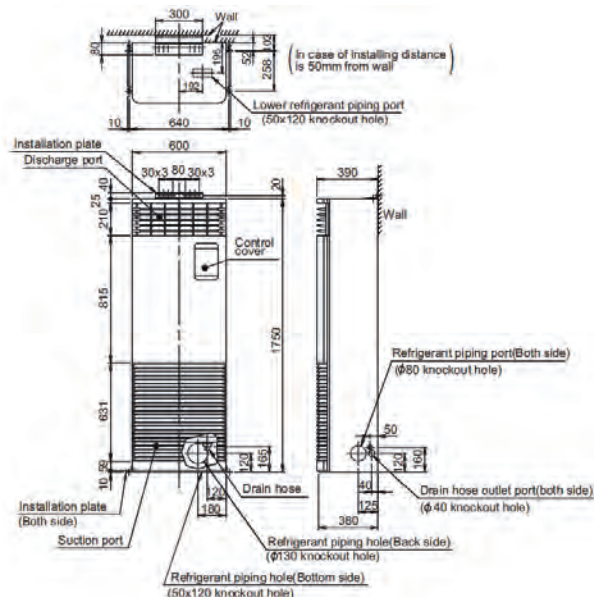
Drawings

Unit : mm

MMF-UP0151H-E to MMF-UP0271H-E



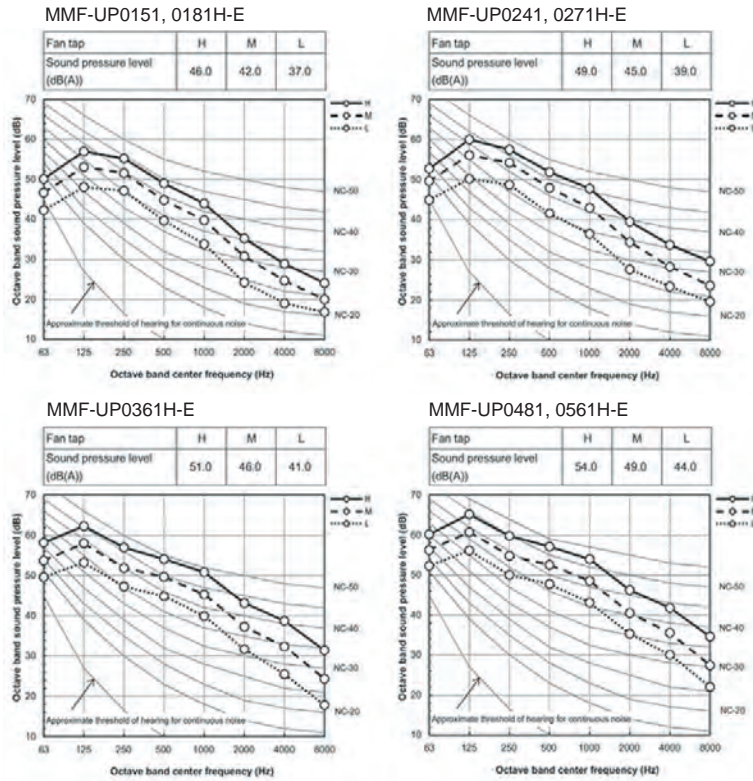
MMF-UP0361H-E to MMF-UP0561H-E



FLOOR STANDING

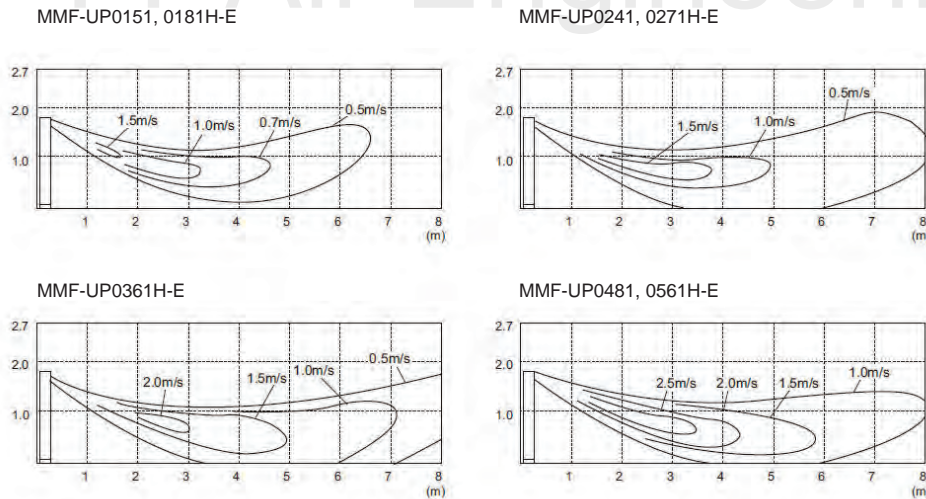
Sound pressure levels

Unit : dB(A)



Air diffusion

Unit : m/s



Floor standing connectors

• : Available

CN32	CN60	CN61	CN70	CN73	CN80
Additional ventilation control from remote control	Operation status signal output (Cooling, fan, thermo-on)	External On/Off, operation output and alarm output	Warning symbol on remote control based on signal input.	Forced IDU thermo-off based on signal input	Forced IDU thermo-off and IDU lock based on signal input
•	TCB-PCUC2E PCB needed	•	TCB-PCUC2E PCB needed	TCB-PCUC2E PCB needed	TCB-PCUC2E PCB needed