



MMC-UP_1HP-T CEILING



Simple, yet elegant design helps to create a pleasant and relaxing environment, quickly conditioning the room air to the desired temperature.

CAPACITY



1.7 HP - 6 HP

SOUND PRESSURE LEVEL



28 dB(A)

LOCAL CONTROLS



RBC-AXU31-E
RBC-AXU31C-E

RBC-ASCU11-E
RBC-AMTU31-E
RBC-AMSU51-EN/ES

Features

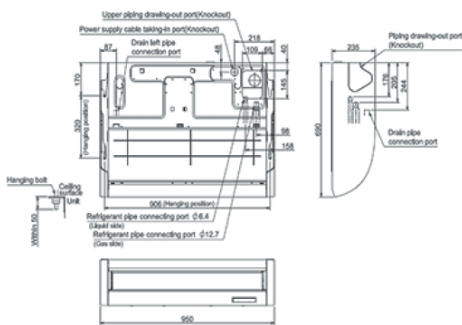
Model name	MMC-	UP0151HP-T	UP0181HP-T	UP0241HP-T	UP0271HP-T	UP0361HP-T	UP0481HP-T	UP0561HP-T	
Cooling capacity	kW	4.5	5.6	7.1	8.0	11.2	14.0	16.0	
	BTU(*1.1)	15,400	19,100	24,200	27,300	38,200	47,800	54,600	
	BTU(*1.2)	15,600	19,300	24,500	27,600	38,600	48,400	55,300	
Electrical characteristics	Power supply	1 phase 50Hz 230V (220-240V) / 1 phase 60Hz 220V							
	Running current (50Hz/60Hz)	A	0.35/0.37	0.36/0.38	0.64/0.67	0.65/0.67	0.77/0.80	0.77/0.80	0.99/1.02
	Power consumption (50Hz/60Hz)	kW	0.033/0.033	0.034/0.034	0.067/0.067	0.067/0.067	0.083/0.083	0.083/0.083	0.111/0.111
	Starting current (50Hz/60Hz)	A	0.54/0.55	0.55/0.57	0.96/1.00	0.97/1.00	1.15/1.20	1.15/1.20	1.49/1.43
Appearance		Pure White (Munsell N9.1)							
Dimensions (HxWxD)	mm	235x950x690			235x1270x690		235x1586x690		
Total weight	kg	24			30		39		
Soundproof / Heat-insulating material		Polyethylene foam							
Fan unit	Fan	Centrifugal fan (Sirocco fan)							
	Standard air flow (H/M/L)	m ³ /h	840/690/540	960/720/540	1440/1020/750	1440/1020/750	1860/1350/1020	1860/1530/1200	2040/1650/1260
	Motor output	W	94				139		
Sound pressure level (H/M/L)	dB(A)	36/34/28	37/35/28	41/36/29	41/36/29	44/38/32	44/41/35	46/42/36	
Sound power level	dB(A)	51	52	56	56	59	59	61	
Air filter		Standard filter supplied (Long life filter)							
Connecting pipe	Gas side	mm	12.7	12.7	15.9	15.9	15.9	15.9	15.9
	Liquid side	mm	6.4	6.4	9.5	9.5	9.5	9.5	9.5
	Drain port (nominal dia)	mm	20 (Polyvinyl chloride tube)						

Notes : 1) The cooling capacities are measured under the conditions specified by JIS B 8615 based on the reference piping
The reference piping consists of 5 m of main piping and 2.5 m of branch piping connected with 0 m height
(*1.1) Indoor air temperature 27.0 c DB/ 19.0 c WB, outdoor air temperature 35.0 c DB
(*1.2) Indoor air temperature 27.0 c DB/ 19.5 c WB, outdoor air temperature 35.0 c DB

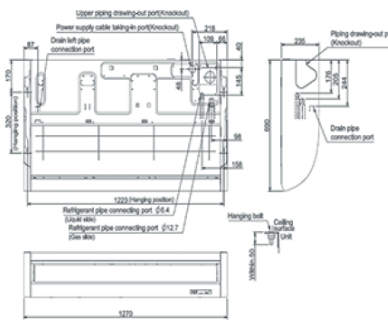
Drawings

Unit : mm

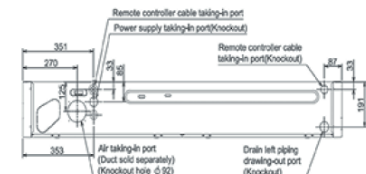
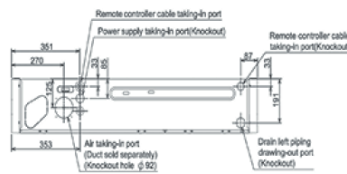
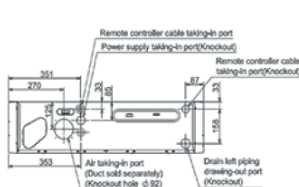
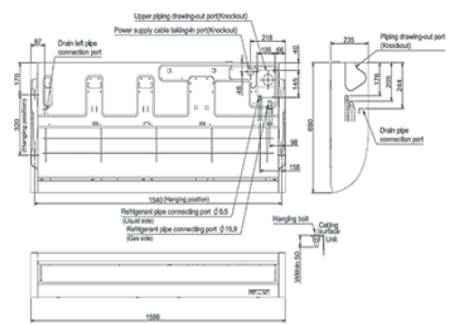
MMC-UP0151HP-T, MMC-UP0181HP-T



MMC-UP0241HP-T, MMC-UP0271HP-T



MMC-UP0361HP-T to MMC-UP0561HP-T

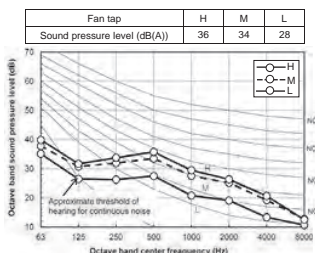


CEILING

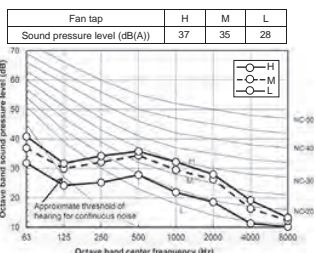
Sound pressure levels

Unit : dB(A)

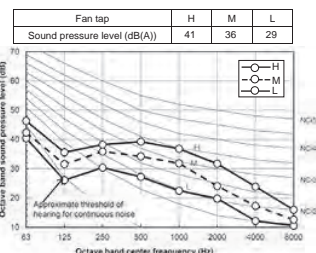
MMC-UP0151HP-T



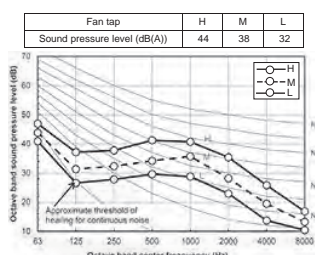
MMC-UP0181HP-T



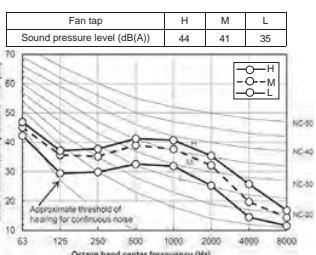
MMC-UP0241, 0271HP-T



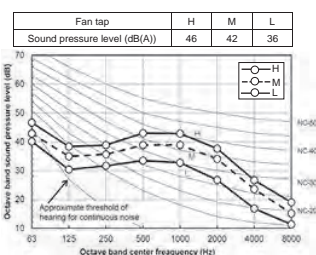
MMC-UP0361HP-T



MMC-UP0481HP-T



MMC-UP0561HP-T

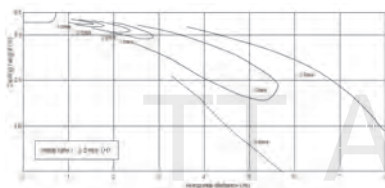


Air diffusion

Unit : m/s

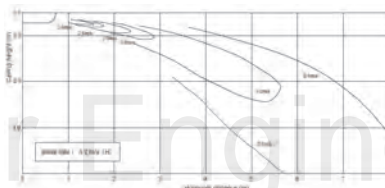
MMC-UP0151HP-T

Cooling



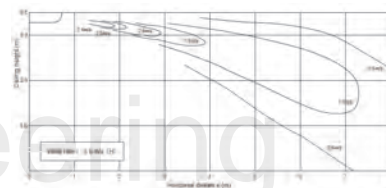
MMC-UP0181HP-T

Cooling



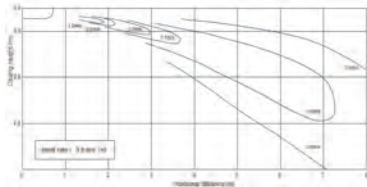
MMC-UP0241, 0271HP-T

Cooling



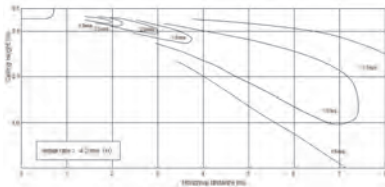
MMC-UP0361, 0481HP-T

Cooling



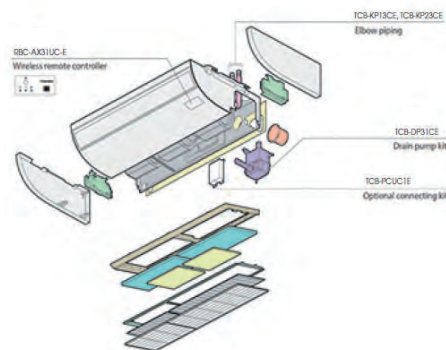
MMC-UP0561HP-T

Cooling



Accessories

No.	Part name	Model name	Applied model	Notes	Remarks
1	Wireless Remote Controller kit	RBC-AXU31C-E	MMC-UP_1HP-T		
2	Wireless Remote Controller	RBC-AXU31-E		For installing as stand alone	
3	Drain pump kit	TCB-DP31CE		Antibacterial glass is built into drain pump kit	
4	Elbow piping kit	TCB-KP14CPE	MMC-UP0151 to 0181HP-T	It is necessary for installation of drain pump kit	Use with TCB-DP31CE
5	Elbow piping kit	TCB-KP24CPE	MMC-UP0241 to 0561HP-T		
6	Option connecting kit	TCB-PCUC2E	MMC-UP_1HP-T	For external I/O signal without local relay preparation	



Ceiling connectors

* : Available

CN32	CN60	CN61	CN70	CN73	CN80
Additional ventilation control from remote control	Operation status signal output (Cooling, fan, thermo-on)	External On/Off, operation output and alarm output	Warning symbol on remote control based on signal input.	Forced IDU thermo-off based on signal input	Forced IDU thermo-off and IDU lock based on signal input
•	TCB-PCUC2E PCB needed	•	TCB-PCUC2E PCB needed	TCB-PCUC2E PCB needed	TCB-PCUC2E PCB needed