

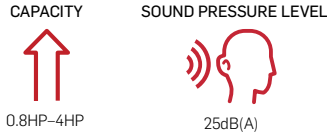
HI-WALL

40VK-S-8S-TST



The Carrier Hi-Wall unit is engineered to perfectly fit in compact spaces such as offices or small shops.

HI-WALL



LOCAL CONTROLS



Specifications

Model name	40VK	007S-8S-TST	009S-8S-TST	012S-8S-TST	015S-8S-TST	018S-8S-TST	024S-8S-TST	027S-8S-TST	030S-8S-TST	036S-8S-TST	
Cooling capacity	kW	2.2	2.8	3.6	4.5	5.6	7.1	8.0	9.0	11.2	
	BTU(*1.2)	7,500	9,600	12,300	15,400	19,100	24,200	27,300	30,700	38,200	
	BTU(*1.3)	7,600	9,700	12,400	15,600	19,300	24,500	27,600	31,000	38,600	
Electrical characteristics	Power supply	1-phase 50Hz 230V (220-240V)/1-phase 60Hz (220V)									
	Running current (50Hz/60Hz)	A	0.15/0.16	0.16/0.17	0.17/0.18	0.25/0.26	0.28/0.29	0.40/0.42	0.28/0.30	0.44/0.46	0.52/0.56
	Power consumption (50Hz/60Hz)	kW	0.015/0.015	0.016/0.016	0.017/0.017	0.028/0.028	0.032/0.032	0.050/0.050	0.034/0.034	0.054/0.054	0.066/0.066
	Starting current (50Hz/60Hz)	A	0.19/0.20	0.20/0.21	0.21/0.22	0.33/0.35	0.36/0.38	0.48/0.50	0.34/0.34	0.50/0.50	0.60/0.60
Dimensions (HxWxD)	mm	293x798x230			320x1,050x250			348x1,200x280			
Total weight	kgs	11			16			21			
Soundproof/Heat-insulating material		Non-flammable insulation									
Fan unit	Fan	Cross Flow Fan									
	Standard airflow (H/M/L)	m ³ /h	480/385/270	510/395/270	540/410/270	840/690/550	900/720/550	1,200/900/600	1,200/1,000/800	1,500/1,300/1,100	1,650/1,350/1,250
Sound pressure level (H/M/L)	dB(A)	35/30/25	36/31/25	37/32/25	40/36/32	41/37/32	45/39/33	44/41/39	48/44/41	50/45/43	
Sound power level	dB(A)	50	51	52	55	56	60	60	63	65	
Air filter		Standard filter supplied (long-life filter)									
Connecting pipe	Gas side	mm	9.5	9.5	9.5	12.7	12.7	15.9	15.9	15.9	15.9
	Liquid side	mm	6.4	6.4	6.4	6.4	6.4	9.5	9.5	9.5	9.5
	Drain port (nominal diam.)	mm	16 (Polyvinyl chloride tube)								

- Notes: (*1)Cooling capacities are measured under conditions specified by JIS B 8615 based on reference piping.
 (*1.1) Reference piping consists of 5m main piping and 2.5m branch piping connected with a height of 0m.
 (*1.2) Indoor air temperature 27.0°C DB/19.0°C WB, Outdoor air temperature 35.0°C DB.
 (*1.3) Indoor air temperature 27.0°C DB/19.5°C WB, Outdoor air temperature 35.0°C DB.

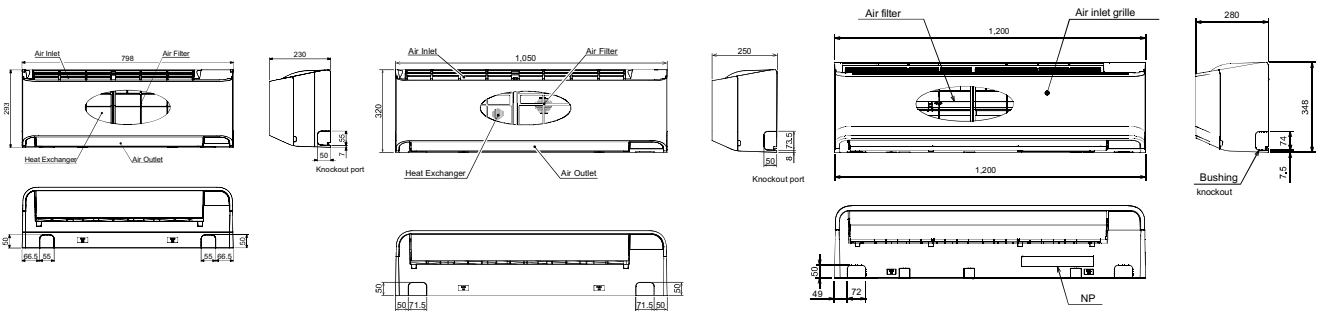
Drawings

Unit mm

40VK007S-8S-TST to 40VK012S-8S-TST

40VK015S-8S-TST to 40VK024S-8S-TST

40VK027S-8S-TST to 40VK036S-8S-TST



Hi-Wall Connectors

* : Available

CN32	CN60	CN61	CN70	CN73	CN80
Additional ventilation control from remote control	Operation status signal output (Cooling, fan, thermo-on)	External On/Off, operation output and alarm output	Warning symbol on remote control based on signal input.	Forced IDU thermo-off based on signal input	Forced IDU thermo-off and IDU lock based on signal input
•	•	•	TCB-PCUC2E PCB required	TCB-PCUC2E PCB required	•

IDU