

SLIM DUCT

40VD-MP8S-CEE



Designed for easy installation, exceptional energy saving and high performance, the Carrier Slim Duct can be installed in a ceiling void or a false ceiling.

DUCT

CAPACITY



0.8HP-3.0HP

SOUND PRESSURE LEVEL



26dB(A)

LOCAL CONTROLS



40VCIO--8-TEE



40VCW56-8-JEE

Specifications

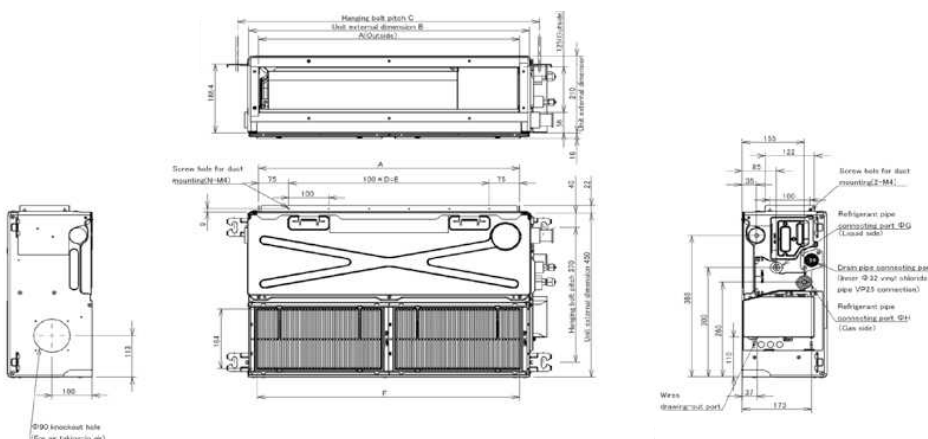
| Model name | 40VD | 007MP8S-CEE | 009MP8S-CEE | 012MP8S-CEE | 015MP8S-CEE | 018MP8S-CEE | 024MP8S-CEE | 027MP8S-CEE | |
|--|---|---|--|-------------|-------------|-------------|--------------|---------------|---------------|
| Cooling capacity | kW | 2.2 | 2.8 | 3.6 | 4.5 | 5.6 | 7.1 | 8.0 | |
| | BTU(*1.2) | 7,500 | 9,600 | 12,300 | 15,400 | 19,100 | 24,200 | 27,300 | |
| | BTU(*1.3) | 7,600 | 9,700 | 12,400 | 15,600 | 19,300 | 24,500 | 27,600 | |
| Electrical characteristics | Power supply | 1-phase 50Hz 220-240V/1-phase 60Hz 208-230V | | | | | | | |
| | Running current (50Hz/60Hz) | A | 0.40/0.42 | 0.42/0.44 | 0.44/0.46 | 0.47/0.49 | 0.53/0.56 | 0.69/0.73 | 0.74/0.78 |
| | Power consumption (50Hz/60Hz) | kW | 0.026/0.026 | 0.029/0.029 | 0.031/0.031 | 0.035/0.035 | 0.044/0.044 | 0.067/0.067 | 0.072/0.072 |
| | Starting current (50Hz/60Hz) | A | 0.69/0.73 | 0.73/0.77 | 0.77/0.81 | 0.82/0.86 | 0.92/0.97 | 1.21/1.27 | 1.30/1.36 |
| Appearance | Heat-insulating material attached: Zinc hot dipping steel plate | | | | | | | | |
| Outer dimensions (HxWxD) | mm | 210x700x450 | | | 210x900x450 | | 210x1110x450 | | |
| Total weight | kgs | 15 | | | 19 | | 22 | | |
| Soundproof/Heat-insulating material | Polyethylene foam & Polyurethane foam | | | | | | | | |
| Fan unit | Fan | Centrifugal fan (Sirocco fan) | | | | | | | |
| | Standard airflow (H/M/L) | m ³ /h | 540/460/400 | 570/500/420 | 600/520/440 | 690/640/550 | 780/730/650 | 1,080/950/860 | 1,140/980/910 |
| | Motor output | W | 50 | | | 94 | | | |
| | External static pressure (Factory setting) | Pa | 10 | | | | | | |
| | External static pressure | Pa | 10-20-30-40-50 (5 Steps) | | | | | | |
| Sound pressure level (H/M/L) | Under air intake | dB(A) | 41/39/35 | 42/40/36 | 44/40/37 | 42/39/37 | 44/42/39 | 47/44/41 | 48/45/43 |
| | Back air intake | dB(A) | 31/29/26 | 32/29/26 | 33/30/27 | 33/30/28 | 34/32/29 | 36/33/30 | 37/34/32 |
| Sound power level | dB(A) | 52 | 54 | 54 | 52 | 56 | 60 | 61 | |
| Air filter | Standard filter supplied (long-life filter) | | | | | | | | |
| Connecting pipe | Gas side | mm | 9.5 | 9.5 | 9.5 | 12.7 | 12.7 | 15.9 | 15.9 |
| | Liquid side | mm | 6.4 | 6.4 | 6.4 | 6.4 | 6.4 | 9.5 | 9.5 |
| | Drain port (nominal diam.) | mm | 25 (Polyvinyl chloride tube: External diam. 32mm, Internal diam. 25mm) | | | | | | |

Notes: (*1) Cooling capacities are measured under conditions specified by JIS B 8615 based on reference piping.
 (*1.1) Reference piping consists of 5m main piping and 2.5m branch piping connected with a height of 0m.
 (*1.2) Indoor air temperature 27.0°C DB/19.0°C WB, Outdoor air temperature 35.0°C DB.
 (*1.3) Indoor air temperature 27.0°C DB/19.5°C WB, Outdoor air temperature 35.0°C DB.

Drawings

Unit: mm

40VD007MP8S-CEE to 40VD027MP8S-CEE



| 40VD**MP8S-CEE | 007-012 | 015-018 | 024-027 |
|----------------|---------|---------|---------|
| A | 650 | 850 | 1,050 |
| B | 700 | 900 | 1,100 |
| C | 770 | 970 | 1,170 |
| D | 5 | 7 | 9 |
| E | 500 | 700 | 900 |
| F | 655 | 855 | 1,055 |
| G | 6.4 | | 9.5 |
| H | 9.5 | 12.7 | 15.9 |

SLIM DUCT

Accessories

| No. | Part name | Model name | Applied model | Notes |
|-----|----------------------------|---------------|---------------|---|
| 1 | Auxiliary fresh air flange | TCB-FF101URE2 | 40VD-MP8S-CEE | For fresh air intake through knockout hole of indoor unit (diam.:100mm) |
| 2 | Wireless remote controller | 40VCI0-8-TEE | | For installing as stand-alone |

• : Available

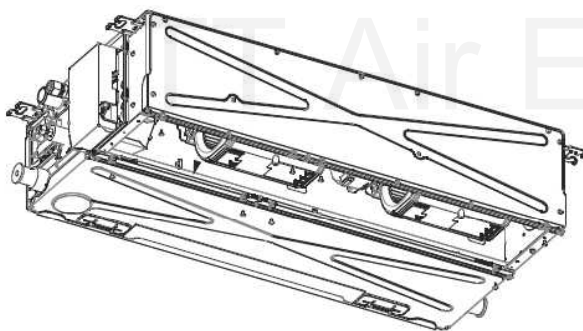
Slim Duct Connectors

| CN32 | CN60 | CN61 | CN70 | CN73 | CN80 |
|--|--|--|--|---|--|
| Additional ventilation control from remote control | Operation status signal output (cooling, fan, thermo-on) | External On/Off, operation output and alarm output | Warning symbol on remote control based on signal input | Forced IDU thermo-off based on signal input | Forced IDU thermo-off and IDU lock based on signal input |
| • | TCB-PCUC2E PCB required | • | TCB-PCUC2E PCB required | TCB-PCUC2E PCB required | TCB-PCUC2E PCB required |

Installation Flexibility

Change from under air intake to back air intake

Under air intake



Back air intake

