

4-WAY CASSETTE

40VU-S-8S-TST



The Carrier 4-Way Cassette delivers user comfort with its uniform air distribution. This makes it ideal for small commercial applications.

CASSETTE

CAPACITY



1HP-6HP

SOUND PRESSURE LEVEL



27dB(A)

LOCAL CONTROLS



40VC17-8-TEE



40VCW56-8-JEE

Specifications

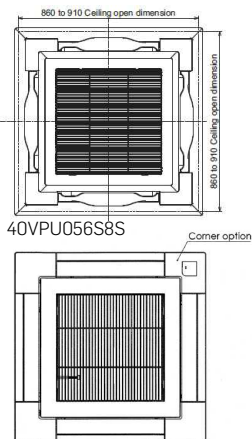
Model name	40VU	009S-8S-TST	012S-8S-TST	015S-8S-TST	018S-8S-TST	024S-8S-TST	027S-8S-TST	030S-8S-TST	036S-8S-TST	048S-8S-TST	056S-8S-TST		
Cooling capacity													
	kW	2.8	3.6	4.5	5.6	7.1	8.0	9.0	11.2	14.0	16.0		
	BTU (*1.2)	9,600	12,300	15,400	19,100	24,200	27,300	30,700	38,200	47,800	54,600		
	BTU (*1.3)	9,700	12,400	15,600	19,300	24,500	27,600	31,000	38,600	48,400	55,300		
Electrical characteristics	Power supply	1-phase 230V (220-240V) 50Hz/1-phase 220V (208-230V) 60Hz											
	Running current (50Hz/60Hz)	A	0.23/0.24	0.28/0.29	0.29/0.30	0.38/0.40	0.38/0.39	0.43/0.45	0.73/0.76	0.88/0.92			
	Power consumption (50Hz/60Hz)	kW	0.021/0.021	0.023/0.023	0.026/0.026	0.036/0.036		0.043/0.043	0.088/0.088	0.112/0.112			
	Starting current (50Hz/60Hz)	A	0.30/0.30	0.33/0.33	0.36/0.36	0.42/0.42		0.59/0.59	0.87/0.87	1.23/1.23	1.26/1.26		
Appearance	Main unit	Heat-insulating material attached: Zinc hot dipping steel plate											
	Ceiling panel name	Smart panel: 40VPU056S8S-TST (White panel)/40VPU056S8SBST (Black panel)											
	Panel color	Smart panel: Gran White (Munsell 5PB9/1)											
Outer dimensions	Main unit (HxWxD)	mm 256x840x840									319x840x840		
	Ceiling panel (HxWxD)	mm 30x950x950											
Total weight	Main unit	kgs 18				20				25			
	Ceiling panel	kgs 4											
Soundproof/Heat-insulating material		Non-flammable insulation											
Fan unit	Fan	Turbo fan											
	Standard airflow (H/M/L)	m ³ /h	800/730/680	930/830/790	1,050/920/800	1,290/920/800		1,320/1,100/850	1,970/1,430/1,070	2,130/1,430/1,130	2,130/1,520/1,230		
	Motor output	W	14				20				68	72	
Sound pressure level (H/M/L)		dB(A)	30/29/27	31/29/27	32/29/27	35/31/28		38/33/30	43/38/32	46/38/33	46/40/33		
Sound power level		dB(A)	45	46	47	50		53	58	61	61		
Air filter		Standard filter supplied (long-life filter)											
Connecting pipe	Gas side	mm	9.5	9.5	12.7	12.7	15.9	15.9	15.9	15.9	15.9		
	Liquid side	mm	6.4	6.4	6.4	6.4	9.5	9.5	9.5	9.5	9.5		
	Drain port (nominal dia)	mm	25 (Polyvinyl chloride tube)										

- Notes:**
- (*1) Cooling capacities are measured under conditions specified by JIS B 8615 based on reference piping.
 - (*1.1) Reference piping consists of 5m main piping and 2.5m branch piping connected with a height of 0m.
 - (*1.2) Indoor air temperature 27.0°C DB/19.0°C WB, Outdoor air temperature 35.0°C DB.
 - (*1.3) Indoor air temperature 27.0°C DB/19.5°C WB, Outdoor air temperature 35.0°C DB.

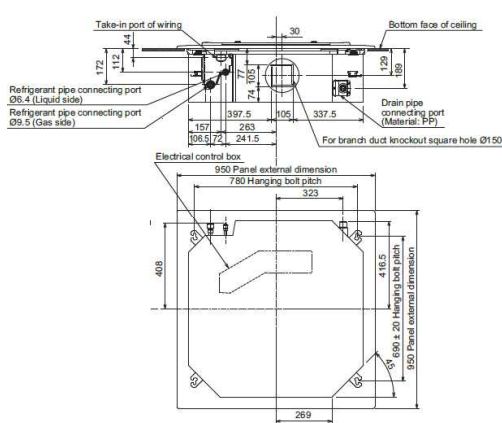
Drawings

Unit: mm

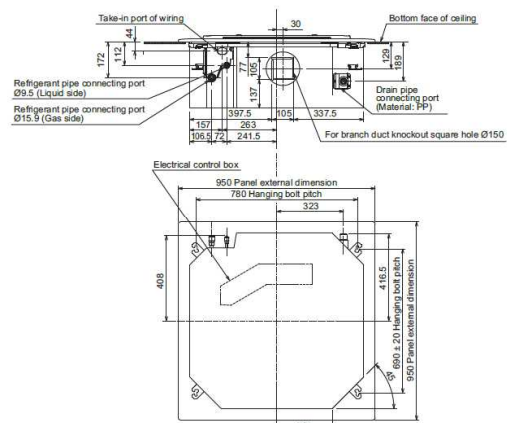
40VPU056S7S-TST



40VU009S-8S-TST to 40VU030S-8S-TST



40VU036S-8S-TST to 40VU056S-8S-TST



4-WAY CASSETTE

Accessories

No.	Part name	Model name	Applied model	Notes	Remarks
1	Ceiling panel	40VPU056S8S-TST	40VU-S-8S-TST	Required accessory; white color	
2	Ceiling panel	40VPU056S8SBTST		Required accessory; black color	
3	Wireless remote controller	40VCI7-8-TEE		panel; white color	
4	Wireless remote controller	40VCI7-B8-TEE		panel; black color	
5	Occupancy sensor	40VSUM--S8F-TEE		White color	
6	Air purifier/filter kit	40VBUI-C-S8F-TEE		Includes ionizer, dust collector, deodorize filter and dust sensor	
7	Air purifier/filter kit	40VBUI--S8F-TEE		Includes ionizer and dust sensor	
8	PM 2.5 filter	TCB-PLFC1UPE-120		Before pre filter type	
9	PM 2.5 filter	TCB-PLFC2UPE-80		After pre filter type	Use with TCB-GFC1603UE
10	Fresh air inlet box	TCB-GB1602UE		For fresh air intake through knockout hole of fresh air and filter chamber. (diam.:100mm)	
11	Auxiliary fresh air flange	TCB-FF101URE2		For fresh air intake through knockout hole of indoor unit. (diam.:100mm)	
12	Fresh air chamber	TCB-GFC1603UE			
13	Spacer for height adjustment	TCB-SP1603UE			
14	Air discharge direction kit	TCB-BC1603UE			

IDU



Design 4-Way panel (White)



Design 4-Way panel (Black)



4-Way Occupancy Sensor



Wireless RC Kit design 4-Way (White)



Wireless RC Kit design 4-Way (Black)



Air Purifier Kit

4-Way Cassette Connectors

• : Available

CN32	CN60	CN61	CN70	CN73	CN80
Additional ventilation control from remote control	Operation status signal output (cooling, fan, thermo-on)	External On/Off, operation output and alarm output	Warning symbol on remote control based on signal input	Forced IDU thermo-off based on signal input	Forced IDU thermo-off and IDU lock based on signal input
•	TCB-PCUC2E PCB required	•	•	•	•