



40LBS-W Series

Chilled Water Fan Coil Unit

66,900-303,570 BTU/H



TT Air Engineering

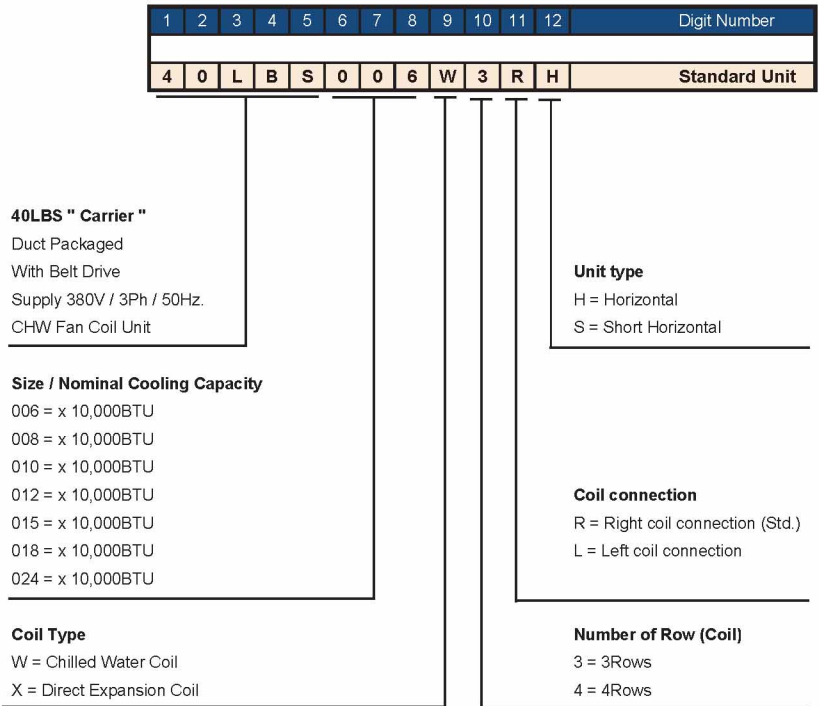


World's No. 1 Air Conditioning Expert

www.carrier.co.th

www.ttair.co.th | Tel : 02-385-0728 | E-mail : sales@ttair.co.th | LINE ID : @ttair

Number Nomenclature



Features



HIGH PERFORMANCE & ENERGY SAVINGS

Carrier's versatile belted fan coil units satisfy design requirements: With Carrier's 40LBS series fan coil units, Selection of 7 sizes covers nominal capacities from 2,100 to 8,000 cfm. These units are ideal for applications with a large common area such as restaurants, airports, sports arenas, stadiums, private boxes, gymnasiums, exercise areas, locker rooms, atriums and foyers, auditoriums, shopping malls, and casinos, to name a few. 40LBS series requires very little space and is easy to install. Piping, drain and wiring connections are readily accessible to save installation time and field labor expense.

Give you design and equipment location flexibility

- Wide range of popular capacities for 2,100 - 8,000 cfm
- Up to 7 sizes with Cabinet units
- Select 3 or 4 row coils

Fan coils save you service and maintenance expense

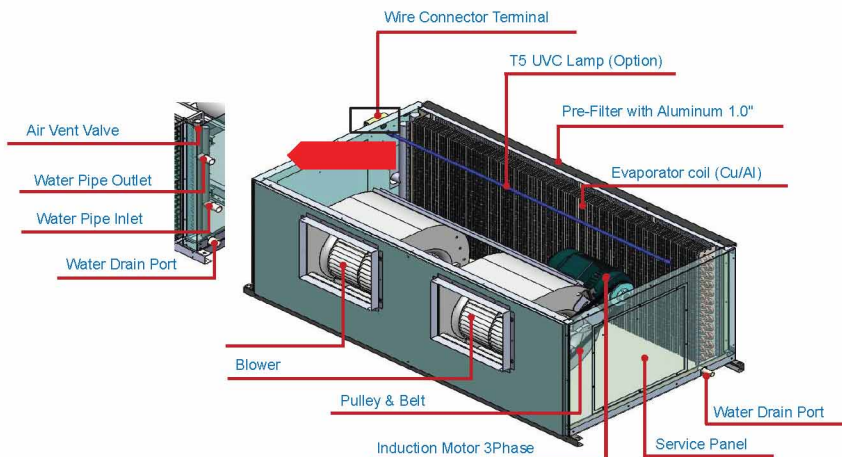
- Insulated drain pan
- Easy access to components
- Rugged construction
- Long life, heavy duty bearings

Select fan coils for easy, low cost installation

- Easy wiring, piping connections
- Mounting holes, slots speed hanging
- Requires no expensive ductwork
- Ideal for new construction or renovation

Aluminium Filter

- For the rough dust filtration in aerial engineering devices of all kinds air conditioning systems in office, department stores schools laboratory etc.
- Wasable and re-usable / Low resistance
- Excellent frame retardant / Flexible, economical and practical



Specification

Model			40LBS006W		40LBS008W		40LBS010W		40LBS012W		40LBS015W		40LBS018W		40LBS024W			
Total Cooling Capacity	KW		19.5	23.7	24.0	29.1	33.1	39.6	37.0	43.7	46.4	54.7	57.2	65.5	75.1	89.0		
	Btu/hr.		66,700	80,800	81,900	99,300	112,900	135,100	126,400	149,000	158,200	186,500	195,000	223,400	256,300	303,600		
Power Supply			V/Ph/Hz		380/3/50													
Air Flow Rate	Rate		CFM		2,100		2,600		3,500		4,000		5,100		6,000		8,000	
	Min-Max		CFM		1,800-2,100	1,800-2,100	2,300-2,600	2,300-2,600	3,200-3,500	3,200-3,500	3500-4000	3500-4000	4500-5100	4500-5100	5500-6000	5500-6000	7500-8000	7500-8000
Cooling Coil	Coil Arrangement		Row/FPI		3R/14 FPI	4R/15 FPI	3R/15 FPI	4R/15 FPI	3R/15 FPI	4R/15 FPI	3R/15 FPI	4R/15 FPI	3R/15 FPI	4R/15 FPI	3R/15 FPI	4R/15 FPI	3R/15 FPI	4R/15 FPI
	Coil Face Area		Sq.Ft		4.44	4.44	5.31	5.31	7.15	7.15	8.00	8.00	10.22	10.22	12.00	12.00	16.04	16.04
	Tube / Fin Material Type		COPPER / ALUMINIUM															
	No. of Circuit				1	1	1	1	1	1	1	1	1	1	1	1	1	1
Fan	Type		CENTRIFUGAL FORWARD CURVED BLADE															
	Size		inch		10"x10"	10"x10"	10"x10"	10"x10"	12"x12"	12"x12"	10"x10"	10"x10"	12"x12"	12"x12"	12"x12"	12"x12"	15"x15"	15"x15"
	QTY				1	1	1	1	1	1	2	2	2	2	2	2	2	2
	Revolution Speed		Std. rpm		720	720	810	810	720	720	789	789	715	715	794	794	629	629
Motor	Power Supply		V/Ph/Hz		380/3/50													
	Type		TEFC - Totally Enclosed Fan Cooled															
	Power		HP		3/4 (4P)	3/4 (4P)	1 (4P)	1 (4P)	2 (4P)	2 (4P)	2 (4P)	2 (4P)	3 (4P)	3 (4P)	3 (4P)	3 (4P)	5.5 (4P)	5.5 (4P)
	Qty				1	1	1	1	1	1	1	1	1	1	1	1	1	1
	Revolution Speed		Max rpm		1,450	1,450	1,450	1,450	1,450	1,450	1,450	1,450	1,450	1,450	1,450	1,450	1,450	1,450
Accessories	Fan Pulley				180-1A-25	180-1A-25	160-1A-25	160-1A-25	180-1A-25	180-1A-25	225-1B-25	225-1B-25	250-1B-20	250-1B-20	225-1B-30	225-1B-30	280-1B-30	280-1B-30
	Motor Pulley				90-1A-14	90-1A-14	90-1A-19	90-1A-19	90-1A-24	90-1A-24	125-1B-24	125-1B-24	125-1B-28	125-1B-28	125-1B-28	125-1B-28	125-1B-28	125-1B-28
	Belt				A-33	A-33	A-32	A-32	A-34	A-34	B-48	B-48	B-54	B-54	B-53	B-53	B-48	B-48
	Belt Qty				1	1	1	1	1	1	1	1	1	1	1	1	1	1
Air Filter	Type		Washable Aluminium Air Filter															
	Qty Size		inch		2...460x484x1"	2...460x484x1"	2...460x565x1"	2...460x565x1"	3...452x525x1"	3...452x525x1"	2...16"x25"x1"	2...16"x25"x1"	4...16"x25"x1"	4...16"x25"x1"	1...16"x25"x1"	1...16"x25"x1"	6...16"x25"x1"	6...16"x25"x1"
	(Width x Height x Thickness)										2...10"x25"x1"	2...10"x25"x1"			3...20"x25"x1"	3...20"x25"x1"		
Insulation	Type		PE (Poly Ethylene) Foam															
	Thermal Conductivity		0.036 w/m.K															
	Thickness		mm.		10.00													
Gross weight			kg.		110.0	115.0	115.0	120.0	140.0	145.0	210.0	220.0	270.0	280.0	330.0	340.0	380.0	390.0
Connecting Pipe	Water In		Qty		inch		1" MPT	1" MPT	1" MPT	1" MPT	1-1/4" MPT	1-1/4" MPT	1-1/4" MPT	1-1/4" MPT	1-1/4" MPT	1-1/4" MPT	1-1/2" MPT	1-1/2" MPT
	Water Out		Qty		inch		1" MPT	1" MPT	1" MPT	1" MPT	1-1/4" MPT	1-1/4" MPT	1-1/4" MPT	1-1/4" MPT	1-1/4" MPT	1-1/4" MPT	1-1/2" MPT	1-1/2" MPT
	Drain O.D.		inch		3/4" MPT	3/4" MPT	3/4" MPT	3/4" MPT	3/4" MPT	3/4" MPT	3/4" MPT	3/4" MPT	3/4" MPT	3/4" MPT	3/4" MPT	3/4" MPT	1" MPT	1" MPT

Remark : RLA : Rated Load Amps *Nominal Capacity based on : Entering Air Temp. 80°F Db / 67°F Wb , At maximum air flow rate
MPT : Male Pipe Tread *Ent./Lvg. Water Temp.44/54 °F

Performance data

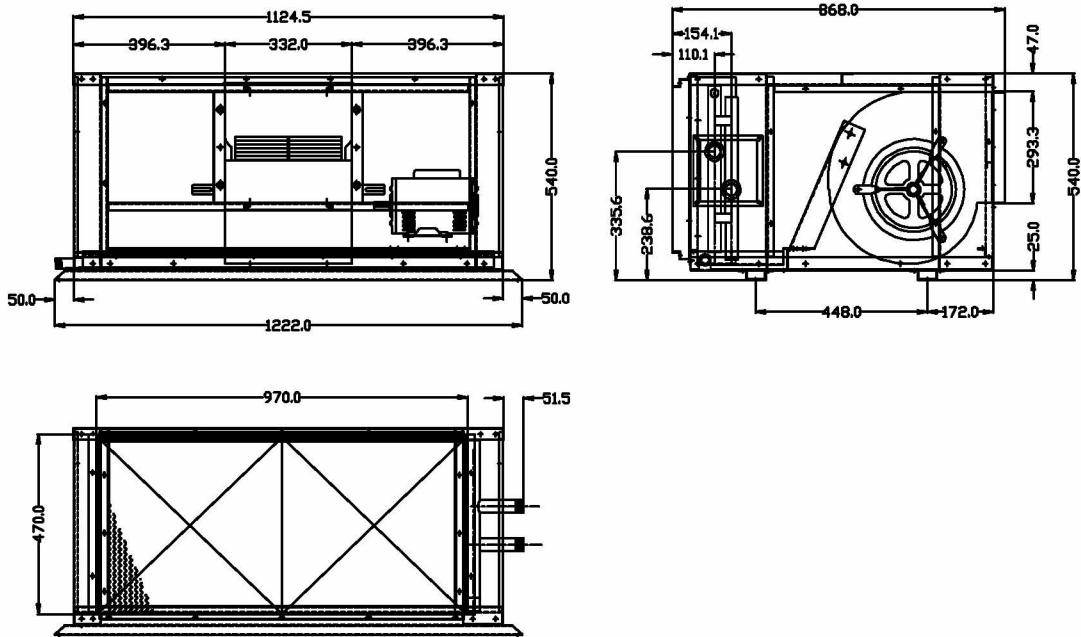
Ent./Lvg. Water Temp. 44 / 54 F Capacity

Model	Air		76 / 63				78 / 65				80 / 67				82 / 69			
	Air Flow (CFM)	Pressue Drop (in.wg.)	Total Capacity (Btuh)	Sensible Capacity (Btuh)	Water Rate (GPM)	PD. (ft.wg)	Total Capacity (Btuh)	Sensible Capacity (Btuh)	Water Rate (GPM)	PD. (ft.wg)	Total Capacity (Btuh)	Sensible Capacity (Btuh)	Water Rate (GPM)	PD. (ft.wg)	Total Capacity (Btuh)	Sensible Capacity (Btuh)	Water Rate (GPM)	PD. (ft.wg)
40LBS006-3	1,800	0.23	45,400	39,440	9.06	6.39	52,500	41,820	10.5	8.23	60,330	44,300	12.03	10.50	69,620	46,980	13.89	13.50
	2,100	0.28	50,280	44,390	10.03	7.63	58,120	47,060	11.6	9.83	66,690	49,790	13.30	12.52	76,910	52,740	15.34	16.08
40LBS006-4	1,800	0.30	54,250	44,630	10.82	5.89	63,040	47,470	12.6	7.65	72,410	50,370	14.44	9.75	83,170	53,540	16.59	12.43
	2,100	0.38	60,620	50,620	12.09	7.14	70,380	53,790	14.0	9.27	80,810	57,010	16.12	11.81	92,870	60,530	18.52	15.09
40LBS008-3	2,300	0.25	57,000	49,690	11.37	7.61	65,700	52,670	13.1	9.75	75,680	55,820	15.09	12.49	87,000	59,100	17.35	15.96
	2,600	0.30	61,810	54,530	12.33	8.76	71,160	57,810	14.2	11.21	81,900	61,220	16.33	14.34	94,130	64,770	18.77	18.32
40LBS008-4	2,300	0.33	68,310	56,410	13.62	7.56	79,060	59,930	15.8	9.75	91,030	63,610	18.16	12.49	104,280	67,510	20.80	15.85
	2,600	0.40	74,580	62,300	14.88	8.81	86,220	66,150	17.2	11.35	99,300	70,170	19.81	14.54	113,770	74,410	22.69	18.47
40LBS010-3	3,200	0.26	80,500	69,700	16.06	10.06	92,860	73,840	18.5	12.91	106,520	78,150	21.24	16.42	122,990	82,870	24.53	21.14
	3,500	0.30	85,310	74,610	17.02	11.13	98,440	79,030	19.6	14.30	112,870	83,600	22.51	18.17	130,300	88,600	25.99	23.40
40LBS010-4	3,200	0.36	95,230	78,540	18.99	8.72	110,340	83,460	22.0	11.27	126,850	88,550	25.30	14.39	145,530	94,020	29.03	18.31
	3,500	0.41	101,460	84,430	20.24	9.74	117,560	89,690	23.5	12.59	135,140	95,120	26.95	16.08	155,100	100,950	30.93	20.48
40LBS012-3	3,500	0.25	88,900	77,850	17.80	7.95	104,500	81,880	20.9	10.22	115,950	85,320	23.13	13.00	134,200	88,440	26.80	16.74
	4,000	0.30	96,850	86,380	19.40	9.24	114,500	90,700	22.8	11.89	126,360	94,330	25.20	15.11	145,350	97,100	29.10	19.46
40LBS012-4	3,500	0.33	108,130	88,930	21.60	6.29	126,420	94,380	25.3	8.15	135,780	95,620	27.08	10.36	161,320	103,320	32.30	13.21
	4,000	0.41	120,220	100,210	24.00	7.40	138,980	105,560	27.8	9.57	148,970	106,300	29.71	12.19	178,100	115,530	35.60	15.55
40LBS015-3	4,500	0.25	113,570	99,730	22.70	7.70	132,460	104,490	26.5	9.83	145,990	108,130	29.12	12.64	169,620	112,520	33.90	16.07
	5,100	0.31	123,930	100,240	24.80	8.89	143,970	115,060	28.8	11.32	158,200	118,810	31.55	14.55	184,670	123,500	36.90	18.51
40LBS015-4	4,500	0.34	130,260	110,650	26.10	6.15	153,300	117,530	30.7	7.88	171,010	121,350	34.11	10.09	199,730	129,730	39.90	12.78
	5,100	0.42	141,560	122,940	28.30	7.16	166,840	130,390	33.4	9.16	186,470	134,000	37.19	11.74	216,820	143,300	43.40	14.89
40LBS018-3	5,500	0.29	139,100	121,010	27.74	8.40	160,720	128,220	32.1	10.81	184,270	135,620	36.75	13.73	212,910	143,850	42.46	17.69
	6,000	0.33	147,200	129,300	29.36	9.28	170,130	137,020	33.9	11.94	195,010	144,900	38.89	15.16	225,300	153,610	44.94	19.54
40LBS018-4	5,500	0.35	158,230	132,440	31.56	6.38	183,640	140,650	36.6	8.27	210,340	148,840	41.95	10.47	241,880	158,060	48.24	13.38
	6,000	0.40	168,150	141,930	33.54	7.09	194,950	150,710	38.9	9.17	223,410	159,430	44.56	11.64	256,890	169,210	51.24	14.86
40LBS024-3	7,500	0.30	183,540	160,350	36.61	8.16	212,410	170,210	42.4	10.53	246,260	181,300	49.12	13.64	284,510	192,370	56.75	17.57
	8,000	0.32	191,490	168,450	38.19	8.79	221,620	178,770	44.2	11.34	256,300	190,130	51.12	14.62	296,820	201,960	59.20	18.92
40LBS024-4	7,500	0.37	216,580	180,920	43.20	6.16	252,910	192,930	50.4	8.07	290,040	204,370	57.85	10.25	335,510	217,980	66.92	13.23
	8,000	0.41	226,820	190,580	45.24	6.68	264,620	203,180	52.8	8.74	303,570	215,170	60.55	11.10	351,210	229,430	70.05	14.33

Ent./Lvg. Water Temp. 45 / 55 F Capacity

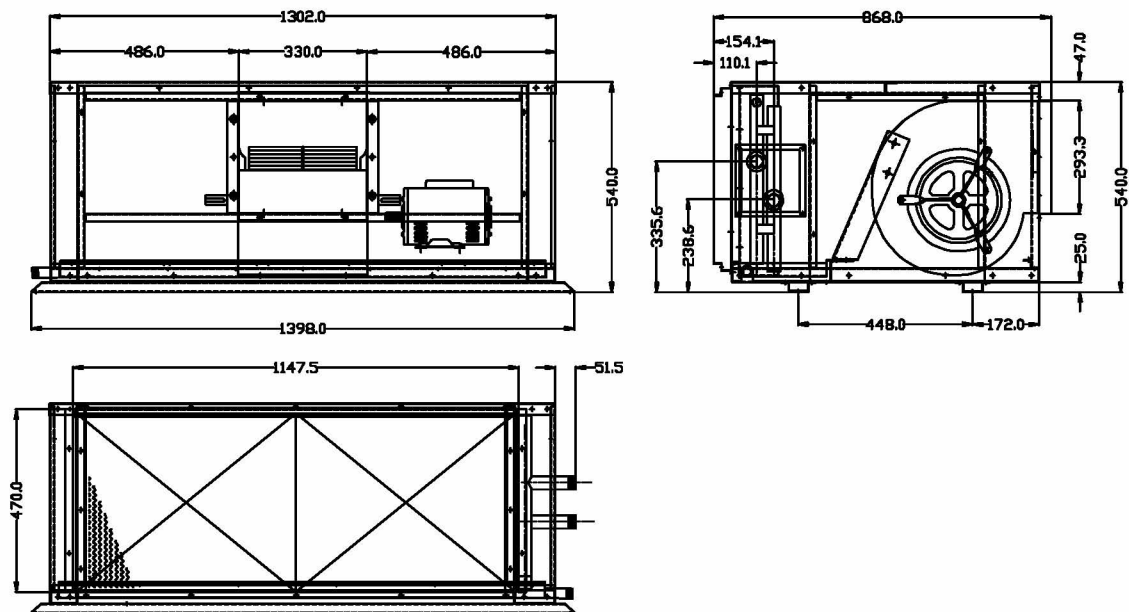
Model	Air		76 / 63				78 / 65				80 / 67				82 / 69			
	Air Flow (CFM)	Pressue Drop (in.wg.)	Total Capacity (Btuh)	Sensible Capacity (Btuh)	Water Rate (GPM)	PD. (ft.wg)	Total Capacity (Btuh)	Sensible Capacity (Btuh)	Water Rate (GPM)	PD. (ft.wg)	Total Capacity (Btuh)	Sensible Capacity (Btuh)	Water Rate (GPM)	PD. (ft.wg)	Total Capacity (Btuh)	Sensible Capacity (Btuh)	Water Rate (GPM)	PD. (ft.wg)
40LBS006-3	1,800	0.22	42,710	38,130	8.52	5.72	49,520	40,490	9.9	7.41	57,060	42,900	11.38	9.49	65,960	45,520	13.16	12.24
	2,100	0.27	47,410	42,920	9.46	6.86	54,800	45,580	10.9	8.84	63,090	48,250	12.59	11.32	72,820	51,130	14.53	14.56
40LBS006-4	1,800	0.29	51,070	43,150	10.19	5.28	59,450	45,910	11.9	6.88	68,570	48,730	13.68	8.83	79,100	51,840	15.78	11.34
	2,100	0.37	57,160	48,960	11.40	6.42	66,310	52,030	13.2	8.33	76,570	55,190	15.28	10.71	88,200	58,620	17.60	13.73
40LBS008-3	2,300	0.24	53,660	48,030	10.71	6.82	61,980	51,010	12.4	8.77	71,480	54,040	14.26	11.26	82,550	57,300	16.47	14.50
	2,600	0.29	58,190	52,710	11.61	7.86	67,130	56,000	13.4	10.09	77,380	59,300	15.44	12.94	89,270	62,810	17.81	16.64
40LBS008-4	2,300	0.33	64,300	54,530	12.83	6.78	74,540	57,950	14.9	8.77	86,270	61,580	17.21	11.32	99,120	65,370	19.78	14.45
	2,600	0.40	70,170	60,230	14.00	7.89	81,240	63,980	16.2	10.19	94,060	67,940	18.77	13.17	108,070	72,060	21.56	16.81
40LBS010-3	3,200	0.26	75,550	67,380	15.07	8.97	87,710	71,530	17.5	11.64	100,810	75,730	20.11	14.86	116,680	80,350	23.28	19.21
	3,500	0.30	80,180	72,110	16.00	9.95	92,960	76,560	18.6	12.89	106,780	81,030	21.30	16.43	123,560	85,920	24.65	21.24
40LBS010-4	3,200	0.35	89,540	75,910	17.86	7.80	104,130	80,730	20.8	10.15	120,120	85,690	23.97	13.03	138,460	91,080	27.62	16.72
	3,500	0.40	95,490	81,620	19.05	8.73	110,890	86,770	22.1	11.33	127,960	92,070	25.53	14.56	147,490	97,800	29.43	18.68
40LBS012-3	3,500	0.25	82,770	75,540	16.60	7.10	98,810	79,850	19.8	9.21	109,690	82,660	21.88	11.75	128,070	86,310	25.60	15.20
	4,000	0.30	90,050	83,900	18.00	8.28	108,450	88,770	21.7	10.71	119,360	91,350	23.81	13.63	138,630	94,860	27.70	17.62
40LBS012-4	3,500	0.33	101,650	86,230	20.30	5.66	119,860	91,690	24.0	7.32	128,700	92,590	25.68	9.40	154,230	100,490	30.80	12.03
	4,000	0.41	113,010	97,260	22.60	6.67	131,900	102,720	26.4	8.59	141,200	102,970	28.17	11.06	169,820	112,340	34.00	14.14
40LBS015-3	4,500	0.25	105,750	96,780	21.10	6.92	125,730	102,080	25.1	8.82	137,890	104,730	27.51	11.40	161,610	109,740	32.30	14.61
	5,100	0.31	116,080	107,450	23.20	7.98	136,780	112,570	27.4	10.18	149,370	115,110	29.80	13.11	175,620	120,490	35.10	16.80
40LBS015-4	4,500	0.34	122,270	107,450	24.50	5.49	144,690	114,080	28.9	7.10	161,620	117,410	32.24	9.11	190,570	126,210	38.10	11.67
	5,100	0.42	132,520	119,320	26.50	6.39	157,830	126,790	31.6	8.27	176,100	129,680	35.13	10.58	207,250	139,690	41.40	13.57
40LBS018-3	5,500	0.28	131,010	117,040	26.14	7.55	151,670	124,180	30.3	9.74	174,510	131,440	34.82	12.44	201,810	139,420	40.26	16.05
	6,000	0.32	138,770	125,040	27.69	8.34	160,510	132,730	32.0	10.75	184,670	140,450	36.84	13.73	213,440	148,900	42.58	17.70
40LBS018-4	5,500	0.35	149,450	128,200	29.82	5.76	173,030	136,070	34.5	7.42	199,720	144,270	39.85	9.53	229,710	153,090	45.83	12.17
	6,000	0.40	158,790	137,400	31.68	6.40	183,630	145,830	36.6	8.23	212,050	154,560	42.31	10.58	243,85			

Unit dimensions



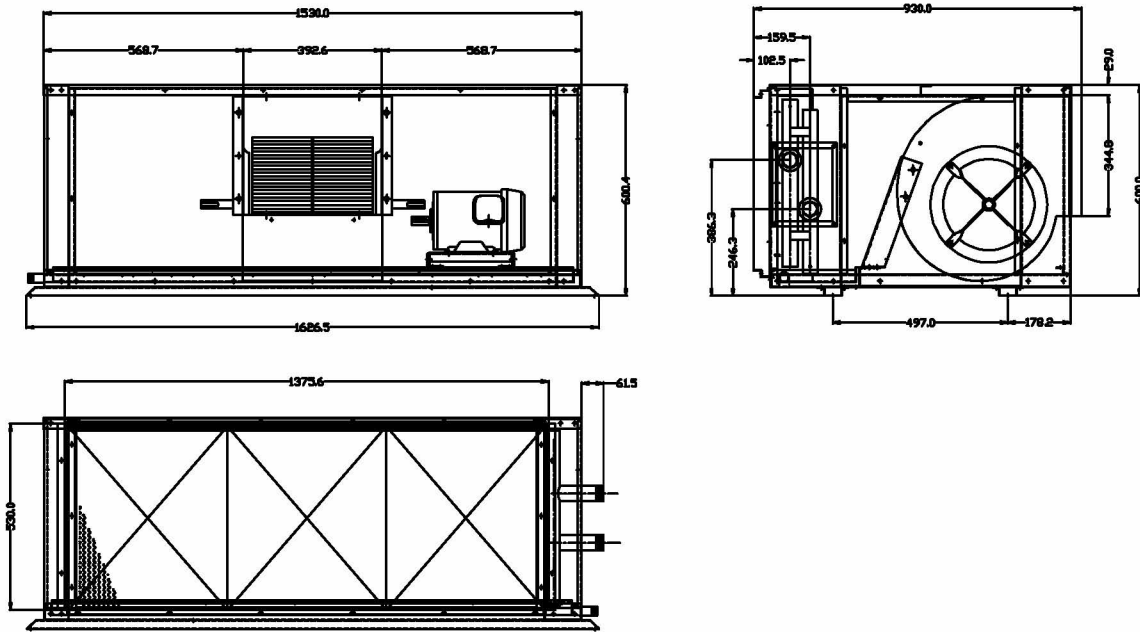
Model: 40LBS006W

TT Air Engineering



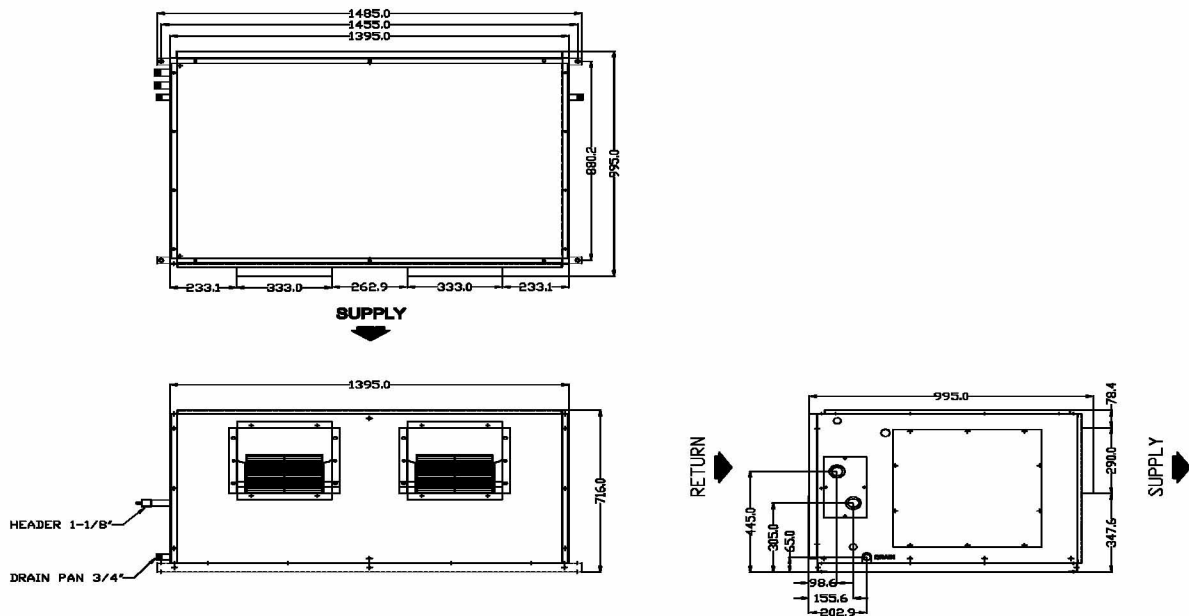
Model: 40LBS008W

Unit dimensions



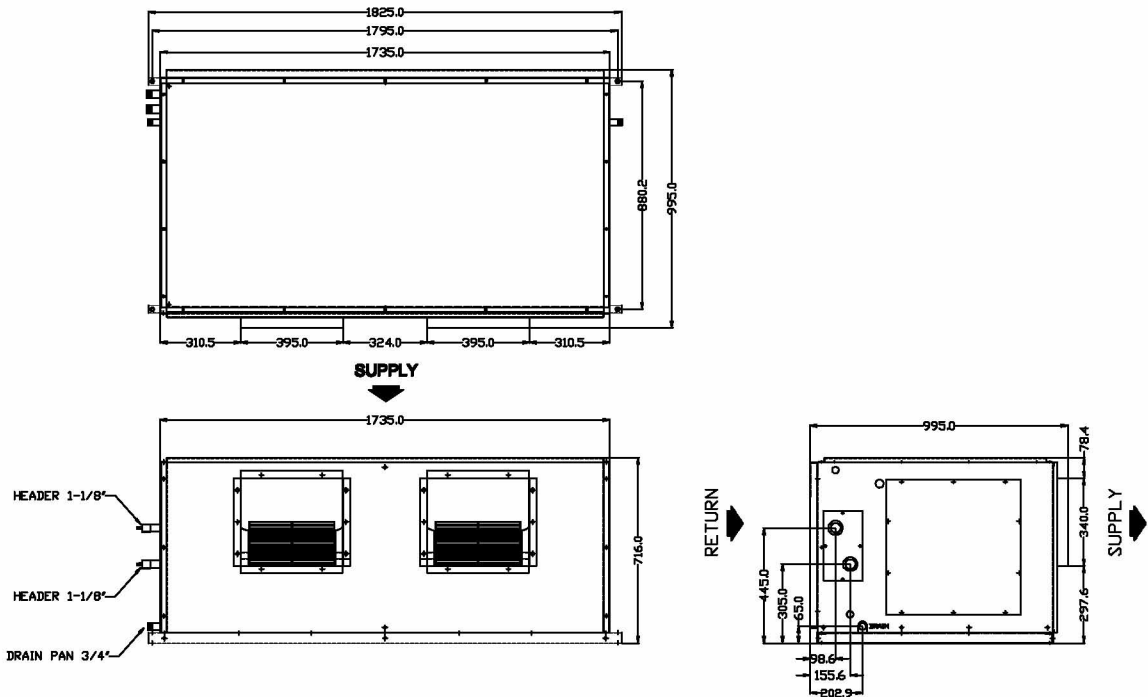
Model: 40LBS010W

TT Air Engineering



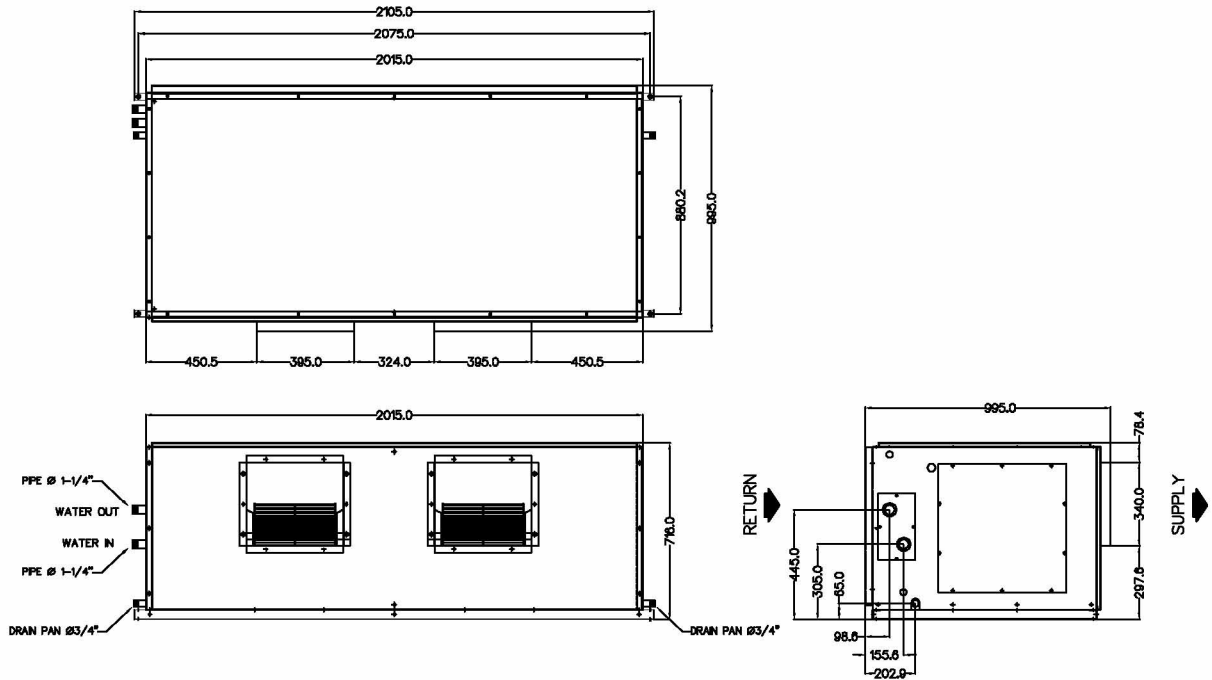
Model: 40LBS012W

Unit dimensions



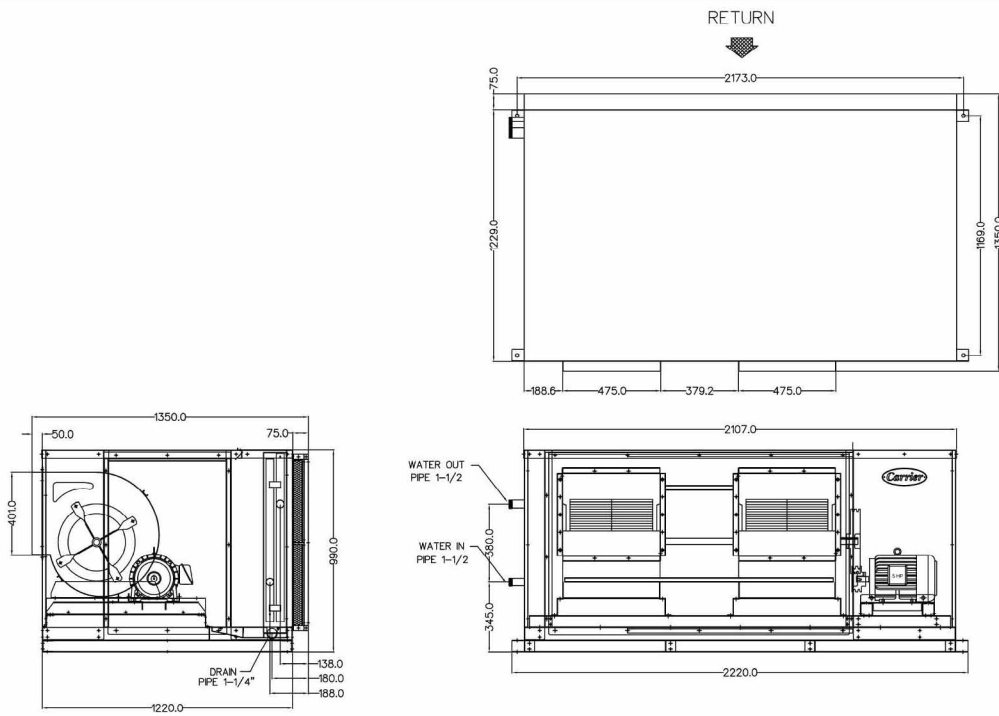
Model: 40LBS015W

TT Air Engineering



Model: 40LBS018W

Unit dimensions



Model: 40LBS024W

TT Air Engineering

Fan Performance

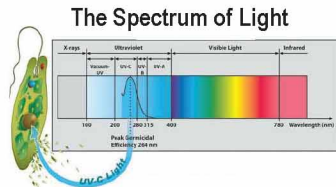
Model	Air Flowrate (cfm)	Internal Pressure Drop (in.wg)	Total Static Pressure (in.wg)																	
			0.40		0.60		0.80		1.00		1.20		1.40		1.60		1.80		2.00	
			Fan Speed (rpm)	Power Consumption (kW)	Fan Speed (rpm)	Power Consumption (kW)	Fan Speed (rpm)	Power Consumption (kW)	Fan Speed (rpm)	Power Consumption (kW)	Fan Speed (rpm)	Power Consumption (kW)	Fan Speed (rpm)	Power Consumption (kW)	Fan Speed (rpm)	Power Consumption (kW)	Fan Speed (rpm)	Power Consumption (kW)	Fan Speed (rpm)	Power Consumption (kW)
40LBS006-3	1,800	0.30	631	0.24	728	0.29	819	0.35	909	0.4	987	0.47*	1,066	0.53*	1,149	0.60*	1,233	0.70*	1,318	0.80*
	2,100	0.35	673	0.33	759	0.39	842	0.46*	921	0.53*	999	0.59*	1,074	0.65*	1,141	0.74*	1,207	0.81*	1,277	0.88*
40LBS006-4	1,800	0.37	631	0.24	728	0.29	819	0.35	909	0.4	987	0.47*	1,066	0.53*	1,149	0.60*	1,233	0.70*	1,318	0.80*
	2,100	0.45	673	0.33	759	0.39	842	0.46*	921	0.53*	999	0.59*	1,074	0.65*	1,141	0.74*	1,207	0.81*	1,277	0.88*
40LBS008-3	2,300	0.33	710	0.41	785	0.48	862	0.54	938	0.62*	1,009	0.69*	1,080	0.76*	1,151	0.83*	1,214	0.91*	1,273	1.00*
	2,600	0.37	772	0.56	829	0.62*	889	0.7*	967	0.78*	1,034	0.86*	1,099	0.94*	1,161	1.02*	1,224	1.10*	1,288	1.18*
40LBS008-4	2,300	0.42	710	0.41	785	0.48	862	0.54	938	0.62*	1,009	0.69*	1,080	0.76*	1,151	0.83*	1,214	0.91*	1,273	1.00*
	2,600	0.49	772	0.56	829	0.62*	889	0.7*	967	0.78*	1,034	0.86*	1,099	0.94*	1,161	1.02*	1,224	1.10*	1,288	1.18*
40LBS010-3	3,200	0.34	580	0.53	648	0.61	724	0.71	798	0.82	868	0.93	934	1.05	992	1.16	1,050	1.28*	1,112	1.41*
	3,500	0.38	610	0.65	672	0.74	737	0.84	806	0.96	874	1.08	939	1.2	1,000	1.32*	1,055	1.45*	1,108	1.57*
40LBS010-4	3,200	0.43	580	0.53	648	0.61	724	0.71	798	0.82	868	0.93	934	1.05	992	1.16	1,050	1.28*	1,112	1.41*
	3,500	0.48	610	0.65	672	0.74	737	0.84	806	0.96	874	1.08	939	1.2	1,000	1.32*	1,055	1.45*	1,108	1.57*
40LBS012-3	3,500	0.33	694	0.48	753	0.6	849	0.71	943	0.83	1,025	0.98	1,111	1.1	1,201	1.27*	1,291	1.49*	1,382	1.7*
	4,000	0.38	684	0.64	777	0.77	867	0.9	951	1.04	1,037	1.16	1,112	1.32*	1,184	1.49*	1,259	1.62*	-	-
40LBS012-4	3,500	0.41	649	0.48	753	0.6	849	0.71	943	0.83	1,025	0.98	1,111	1.1	1,201	1.27*	1,291	1.49*	1,382	1.7*
	4,000	0.49	684	0.64	777	0.77	867	0.9	951	1.04	1,037	1.16	1,112	1.32*	1,184	1.49*	1,259	1.62*	-	-
40LBS015-3	4,500	0.33	532	0.54	639	0.7	729	0.87	819	1.06	1,046	1.43	1,027	1.59	-	-	-	-	-	-
	5,100	0.39	546	0.68	644	0.86	737	1.05	816	1.25	893	1.45	979	1.69	-	-	-	-	-	-
40LBS015-4	4,500	0.42	532	0.54	639	0.7	729	0.87	819	1.06	1,046	1.43	1,027	1.59	-	-	-	-	-	-
	5,100	0.50	546	0.68	644	0.86	737	1.05	816	1.25	893	1.45	979	1.69	-	-	-	-	-	-
40LBS018-3	5,500	0.35	561	0.80	651	0.98	740	1.18	822	1.39	893	1.6	965	1.82*	1,044	2.08*	1,131	2.39*	1,217	2.74*
	6,000	0.38	583	0.97	662	1.15	746	1.37	826	1.59	900	1.82*	965	2.05*	1,030	2.28*	1,100	2.55*	1,176	2.85*
40LBS018-4	5,500	0.43	561	0.80	651	0.98	740	1.18	822	1.39	893	1.6	965	1.82*	1,044	2.08*	1,131	2.39*	1,217	2.74*
	6,000	0.49	583	0.97	662	1.15	746	1.37	826	1.59	900	1.82*	965	2.05*	1,030	2.28*	1,100	2.55*	1,176	2.85*
40LBS024-3	7,500	0.35	-	-	558	1.26	639	1.53	709	1.78	776	2.05	838	2.36	897	2.68*	956	3.00*	-	-
	8,000	0.38	-	-	564	1.41	641	1.69	712	1.98	776	2.24	838	2.54*	896	2.88*	951	3.22*	-	-
40LBS024-4	7,500	0.45	-	-	558	1.26	639	1.53	709	1.78	776	2.05	838	2.36	897	2.68*	956	3.00*	-	-
	8,000	0.48	-	-	564	1.41	641	1.69	712	1.98	776	2.24	838	2.54*	896	2.88*	951	3.22*	-	-

Accessories (Optional)

UV Lamps

In response to the current coronavirus epidemic situation, sterilization option using UltraViolet (UV) is available for FCU products. UV light for kill germs in a wide range of wavelengths between 200 to 400 (nm) which is highly effective in killing bacteria and reduces the formation of viruses by breaking down the molecular bonds that hold their DNA and RNA together.

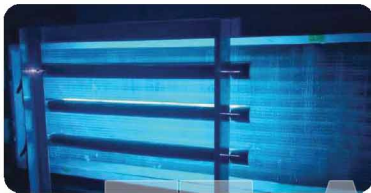
UV-C at this wavelength, is the wavelength that DNA can absorb well can be punched and disabled their growth. By destroying their DNA sequence When doing this, the virus will lose their ability to reproduce.



UV-C-Radiation used for disinfection is most effective at a wavelength of 253.7 nm.



UV-C rays are not found in nature because these rays cannot pass through the ozone layer to the earth's surface. The use of this type of radiation to destroy the infection requires a source of radiation. Including mercury lamps



- Aluminum Frame
- Reflector of Aluminum Frame (for belt Protection)
- Driver



T5 UVC Lamp 4PSE



Reflector



Lamp Clip



Driver

Advantages of UV-C lamp

- 253.7nm UV-C lamp, no generate ozone.
- High-energy UV-C, effective life is up to 8000 hours.
- Stainless steel reflector enhances the radiation intensity and avoids direct exposure to the human body.
- Plug-in products for easy installation.
- External control box, 220VAC standard power supply, simple wiring.
- Able to kill bacteria in the air and prevent the virus from spreading through the host bacteria.

UVC LAMP DATA

MODEL	HEAT EXCHANGER (Inch)		UVC LAMP Model	DISINFECTION At COIL SURFACE	IRRADIANCE		Remarks
	Height	Length			Min (uW/CM ²)	Max (uW/CM ²)	
40LBS006W3RH	18"	35.5"	TUV 36 T5 HO 4P-SE	>99%	694.03	1,360.30	UVC T5 75W 1 Lamp
40LBS006W4RH	18"	35.5"	TUV 36 T5 HO 4P-SE	>99%	694.03	1,360.30	UVC T5 75W 1 Lamp
40LBS008W3RH	18"	42.5"	TUV 36 T5 HO 4P-SE	>99%	619.25	1,360.30	UVC T5 75W 1 Lamp
40LBS008W4RH	18"	42.5"	TUV 36 T5 HO 4P-SE	>99%	619.25	1,360.30	UVC T5 75W 1 Lamp
40LBS010W3RH	20"	51.5"	TUV 36 T5 HO 4P-SE	>99%	851.46	1,721.90	UVC T5 75W 2 Lamps
40LBS010W4RH	20"	51.5"	TUV 36 T5 HO 4P-SE	>99%	851.46	1,721.90	UVC T5 75W 2 Lamps
40LBS012W3RH	24"	48"	TUV 36 T5 HO 4P-SE	>99%	817.87	1,902.51	UVC T5 75W 2 Lamps
40LBS012W4RH	24"	48"	TUV 36 T5 HO 4P-SE	>99%	817.87	1,902.51	UVC T5 75W 2 Lamps
40LBS015W3RH	24"	61.325"	TUV 64 T5 HO 4P-SE	>99%	444.02	1,032.36	UVC T5 145W 1 Lamp
40LBS015W4RH	24"	61.325"	TUV 64 T5 HO 4P-SE	>99%	444.02	1,032.36	UVC T5 145W 1 Lamp
40LBS018W3RH	24"	72"	TUV 64 T5 HO 4P-SE	>99%	786.91	1,925.14	UVC T5 145W 2 Lamps
40LBS018W4RH	24"	72"	TUV 64 T5 HO 4P-SE	>99%	786.91	1,925.14	UVC T5 145W 2 Lamps
40LBS024W3RH	33"	70"	TUV 64 T5 HO 4P-SE	>99%	769.45	1,827.18	UVC T5 145W 2 Lamps
40LBS024W4RH	33"	70"	TUV 64 T5 HO 4P-SE	>99%	769.45	1,827.18	UVC T5 145W 2 Lamps

Accessories (Optional)

Intelligent Thermostat & Starter



Variable Speed Drive (VSD)
CARR-INTVSDITS003X (2-3 HP)
CARR-INTVSDITS075X (2-7.5 HP)
CARR-INTVSDITS010X (2-10 HP)



Variable Speed Drive (VSD)
CARR-INTVSDITS015X (15 HP)
CARR-INTVSDITS020X (15-20 HP)



External display unit (Optional)
Model : CARR-INTDT10ITSDP

INTELLIGENT THERMOSTAT & VSD Starter

MODEL	CARR-INTVSDITS003X	CARR-INTVSDITS075X	CARR-INTVSDITS010X	CARR-INTVSDITS015X	CARR-INTVSDITS020X
POWER	2 - 3 HP (1.5 - 2.2 KW)	2 - 7.5 HP (1.5 - 5.5 KW)	2 - 10 HP (1.5 - 7.5 KW)	15 HP (11.2 KW)	15 - 20 HP (11.2 - 15 KW)
VOLTAGE	3 Phase , 380 - 415 VAC	3 Phase , 380 - 415 VAC	3 Phase , 380 - 415 VAC	3 Phase , 380 - 415 VAC	3 Phase , 380 - 415 VAC
STARTING TYPE	VSD	VSD	VSD	VSD	VSD
OVER / UNDER VOLTAGE	20%	20%	20%	20%	20%
AMBIENT OPERATING TEMPERATURE	10 - 50 °C	10 - 50 °C	10 - 50 °C	10 - 50 °C	10 - 50 °C
INDICATOR	7 - segment LED Display	7 - segment LED Display	7 - segment LED Display	7 - segment LED Display	7 - segment LED Display
DIMENSION (W x L x H)	493 X 121 x 377 mm.	493 X 121 x 377 mm.	494 X 121 x 377 mm.	490 X 220 x 500 mm.	490 X 220 x 500 mm.



CARR-INTITS05X
(0.75 - 5 HP) Direct on line



CARR-INTITSY10X
(5 - 10 HP) Star - Delta



External display unit (Optional)
Model : CARR-INTDT10ITSDP

INTELLIGENT THERMOSTAT & STARTER , Direct on line, Star - Delta

MODEL	CARR-INTITS05X	CARR-INTITSY10X
POWER	0.75 - 5 HP (0.55 - 3.7 KW)	5 - 10 HP (3.7 - 7.5 KW)
VOLTAGE	3 Phase , 380 - 415 VAC	3 Phase , 380 - 415 VAC
STARTING TYPE	DOL	Star - delta
ACCURACY	± 1 %	± 1 %
OVER / UNDER VOLTAGE SETTING	5 - 20 %	5 - 20 %
VOLTAGE UNBALANCE SETTING	3 - 20 %	3 - 20 %
MAGNETIC CONTACT RATING (AC-3)	9 Amp.	16 Amp.
PHASE PROTECTION MODE	Auto / Manual	Auto / Manual
AMBIENT OPERATING TEMPERATURE	10 - 50 °C	10 - 50 °C
INDICATOR	7 - segment LED Display	7 - segment LED Display
DIMENSION (W x L x H)	322 X 322 x 93 mm.	493 X 121 x 377 mm.

บริษัท แครเรียร์ (ประเทศไทย) จำกัด
1858/63-74 ชั้น 14, 15
ถ.เพชรรัตน กม. 4.5 แขวงบางนาใต้
เขตบางนา กรุงเทพฯ 10260
โทร. 0-2090-9999 แฟกซ์: 0-2751-4778

Carrier (Thailand) Ltd.
1858/63-74 , 14th, 15th Floor,
Debaratna Road, Km.4.5, Bangna Tai,
Bangna Bangkok 10260 Thailand
Tel. 0-2090-9999 Fax: 0-2751-4778

บริษัทฯ ขอสงวนสิทธิ์ที่จะเปลี่ยนแปลงรายละเอียดข้างต้น โดยไม่ต้องแจ้งให้ทราบล่วงหน้า
Carrier reserves the right to make changes in specifications without prior notice.



YOUR CARRIER MAN :