



## 30GSU Series

Air Cooled Scroll Chiller

Nominal : 18 - 45 Tons



World's No.1 Air Conditioning Expert

[www.carrier.co.th](http://www.carrier.co.th)

# 30GSU SERIES

## Air Cooled Scroll Chiller

### Features



- Low-noise scroll compressors with Low vibration level
- The compressor assembly is installed on an independent chassis and supported by anti-vibration mountings
- Dynamic suction and discharge piping support, minimizing vibration transmission
- Maintenance-free scroll compressors
- Low operating sound with no intrusive low-frequency noise, creates a better working/living environment.
- Environment sound refrigerant R-410a of zero ozone depletion potential.
- Single refrigerant circuit for maximum safety and part loaded operation
- Completed with control panel, unit operation at low different pressure

### Physical Data

Description		Air Cooled Scroll Chiller Unit					
Model		30GSU018	30GSU024	30GSU030	30GSU036	30GSU048	
Nominal Capacity	kW.	64.5	79.8	103.2	129.6	159.5	
	Btu/Hr.	220,000	272,000	352,000	442,000	544,000	
Power Input	kW.	21.96	26.46	35.2	43.3	52.92	
Operating Current	Amp.	44.8	61.6	72.2	94.8	123.2	
Cooler	Type	Shell & Tube DX COOLER					
	Model	EST030-2-10	EST035-2-10	EST040-2-12	EST060-2-12	EST080-2-14	
	Water Flow R	GPM	44	54	70	88	109
	Pressure Drop	FT.WG	10.7	14.8	6.1	8.3	8.5
Water Connection	Type	Male Pipe Thread					
	Inlet Pipe	Inch	2-1/2"	2-1/2"	3"	3"	4"
	Outlet Pipe	Inch	2-1/2"	2-1/2"	3"	3"	4"
Compressor	Type	Hermetic Scroll Compressor					
	Quantity	2	2	2	2	4	
Fan Motor	Power Supply	V/Ph/Hz 380 / 3 / 50					
	Power Input	W.	630	630	1850	1850	630
	RLA	Amp.	2.21	2.21	3.7	3.7	2.21
	QTY	2	2	2	2	4	
Blower	Fan type	Propeller					
	Drive Type	Direct					
	QTY	2	2	2	2	4	
	Fan Dimension	Inch	28"	28"	31"	31"	28"
Condenser	Face Area	sq.ft	50.44	50.44	53.53	53.53	100.88
	Density	FPI	18	18	16	16	18
	Row	1.6	2	3	3	2	
	Air Flow	21,600	21,520	28,840	28,840	43,040	
Refrigerant	R410a						
Refrigerant charging from factory	kg.	11	15	18	22	30	
Shipping Weight	kg.	1,200	1,340	1,400	1,450	2,170	
Unit Size	Width	mm.	2,254	2,254	2,254	2,254	2,254
	Height	mm.	2,087	2,087	2,327	2,327	2,087
	Depth	mm.	1,286	1,286	1,286	1,286	2,538

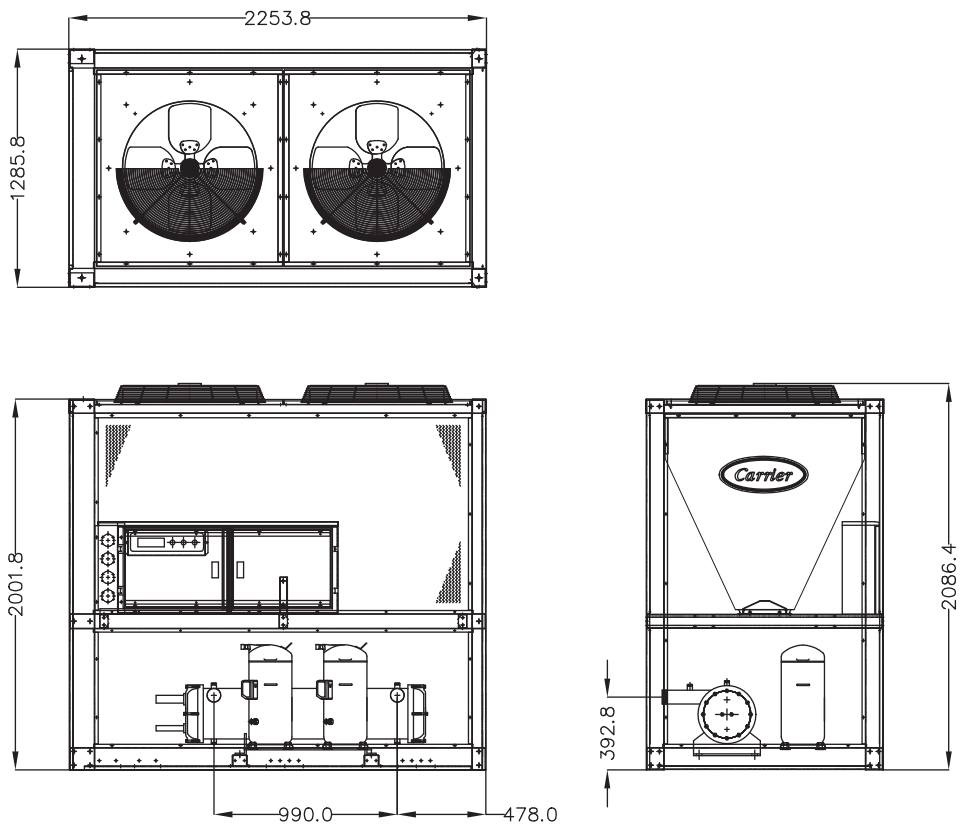
Remark : Rating at

1. Ambient Temperature 95°F

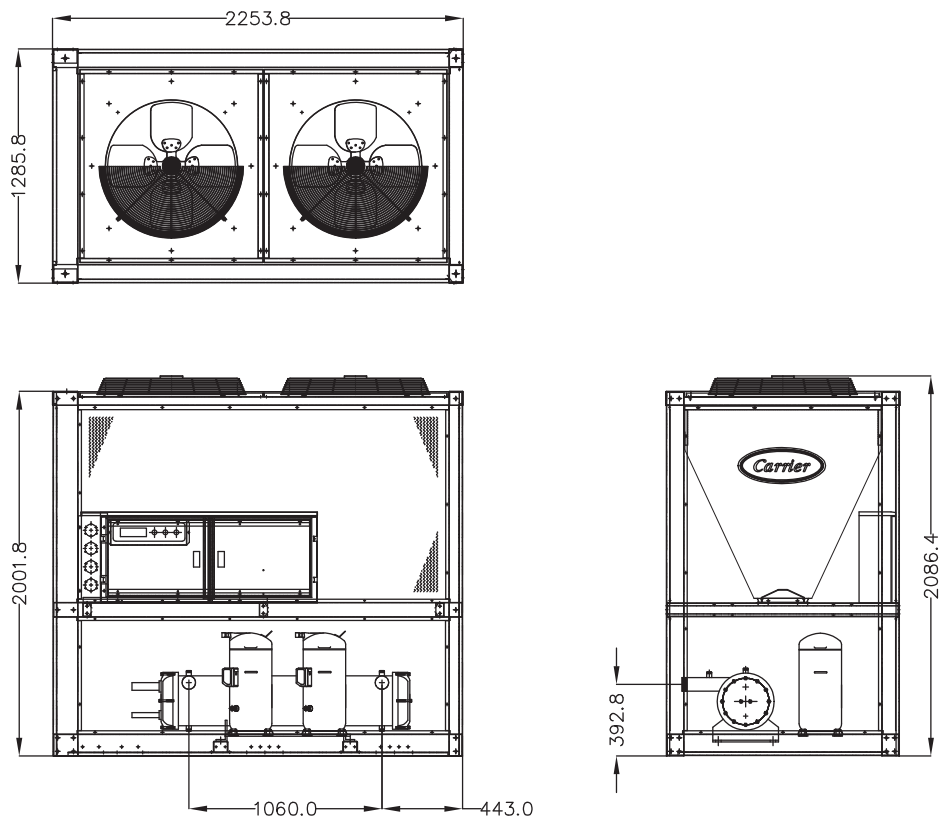
3. Entering Chilled Water Temperature 55°F

2. Leaving Chilled Water Temperature 45°F

## Unit dimensions

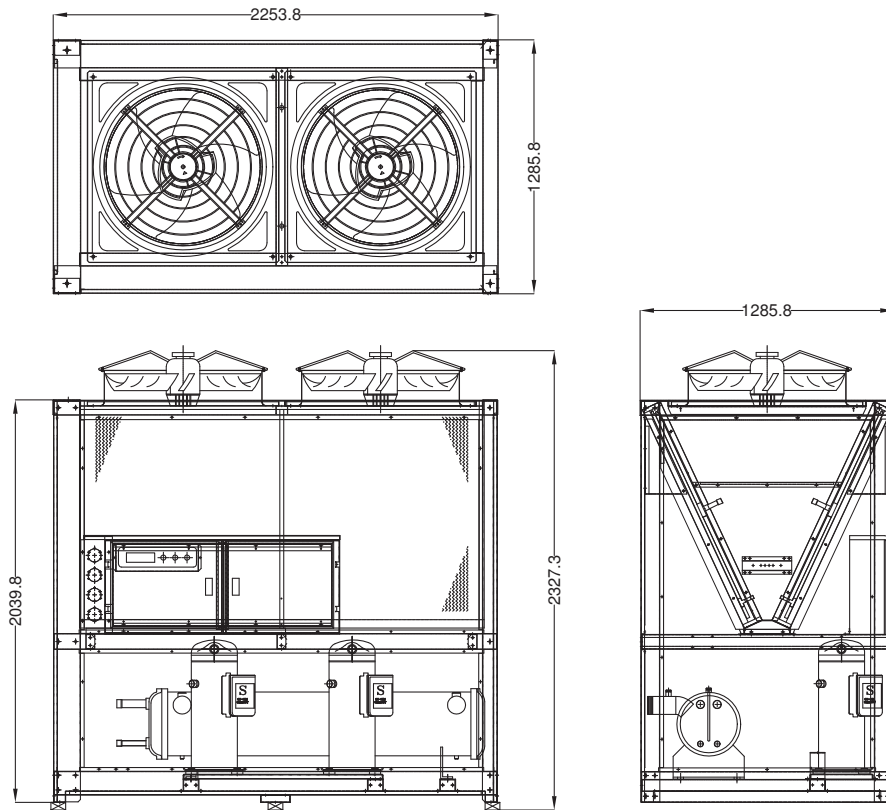


Model : 30GSU018

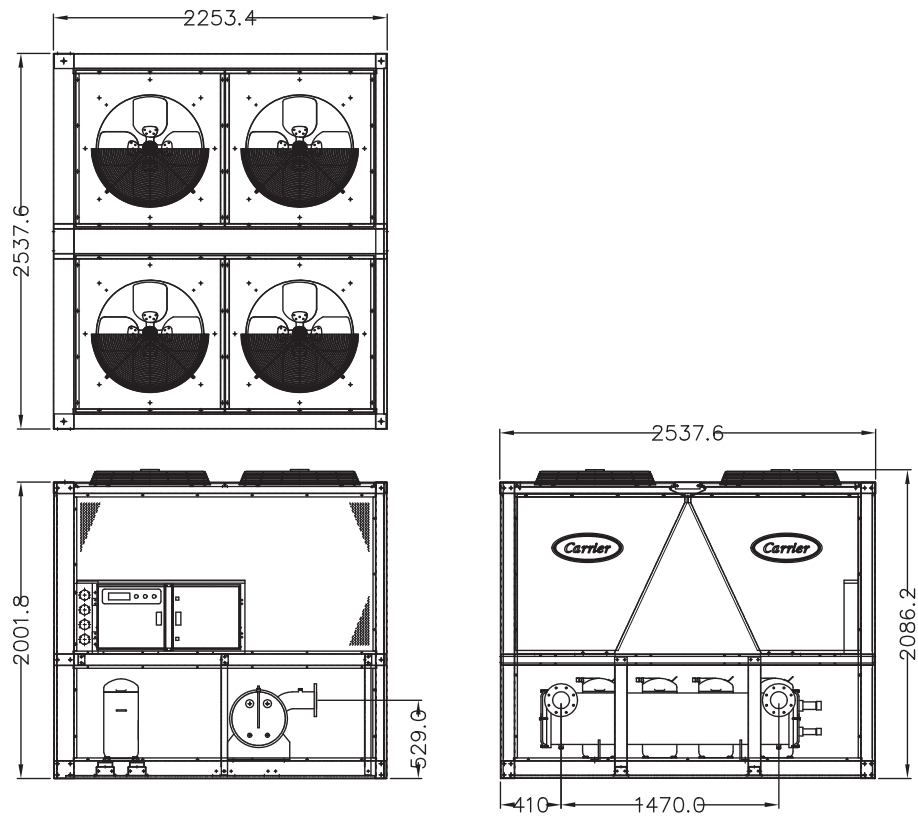


Model : 30GSU024

## Unit dimensions



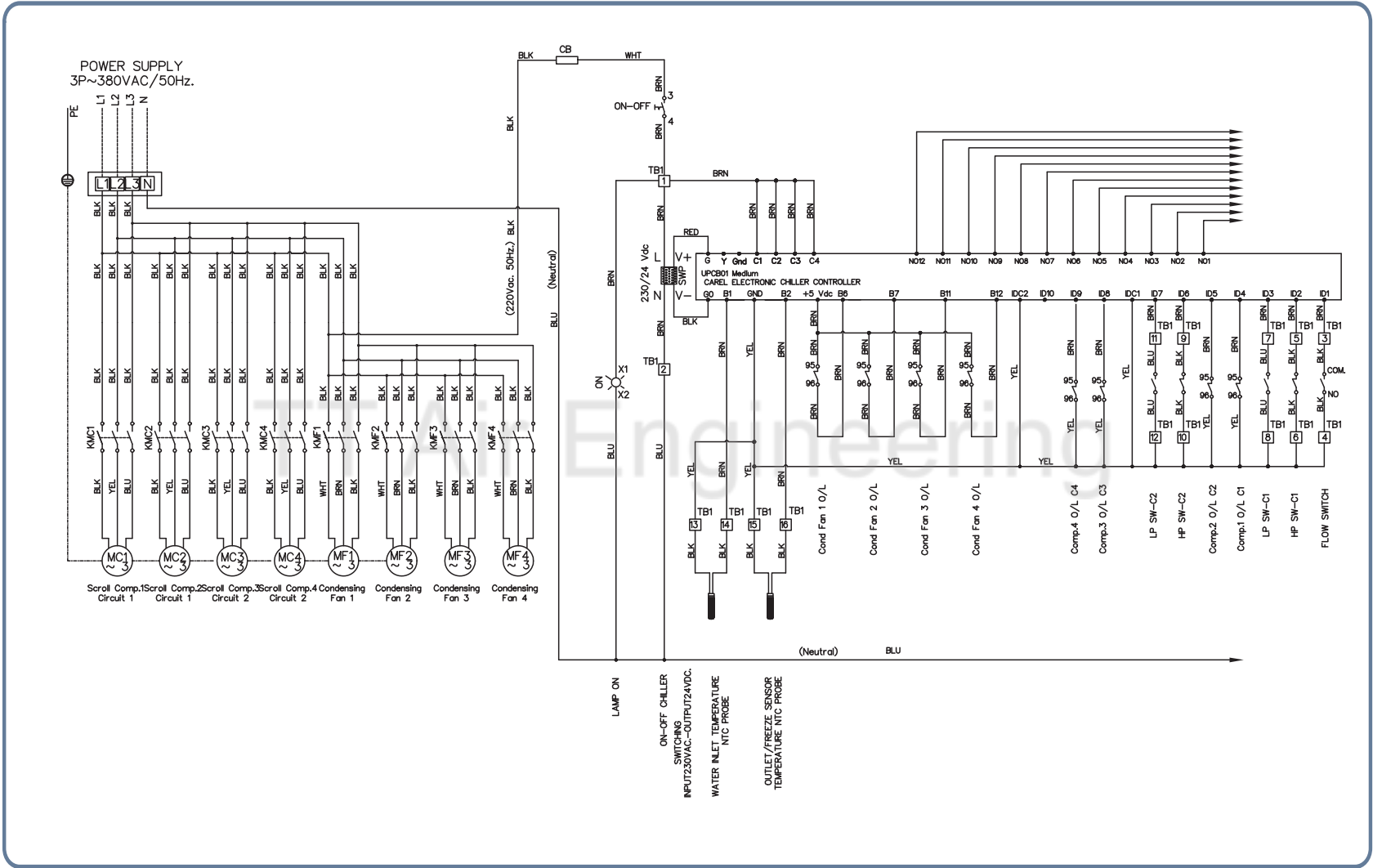
Model : 30GSU030-036



Model : 30GSU048



# Electrical wiring diagrams



Model : 30GSU048

# TT Air Engineering

บริษัท แครเรียร์ (ประเทศไทย) จำกัด  
1858/63-74 ชั้น 14, 15  
ถ.เทพรัตน กม. 4.5 แขวงบางนาใต้  
เขตบางนา กรุงเทพฯ 10260  
โทร. 0-2090-9999 แฟกซ์: 0-2751-4778

Carrier (Thailand) Ltd.  
1858/63-74 , 14<sup>th</sup>, 15<sup>th</sup> Floor,  
Debaratna Road, Km.4.5, Bangna Tai,  
Bangna Bangkok 10260 Thailand  
Tel. 0-2090-9999 Fax: 0-2751-4778

บริษัทฯ ขอสงวนสิทธิ์ที่จะเปลี่ยนแปลงรายละเอียดข้างต้น โดยไม่ต้องแจ้งให้ทราบล่วงหน้า  
Carrier reserves the right to make changes in specifications without prior notice.



YOUR CARRIER MAN :

30GSU/09/20